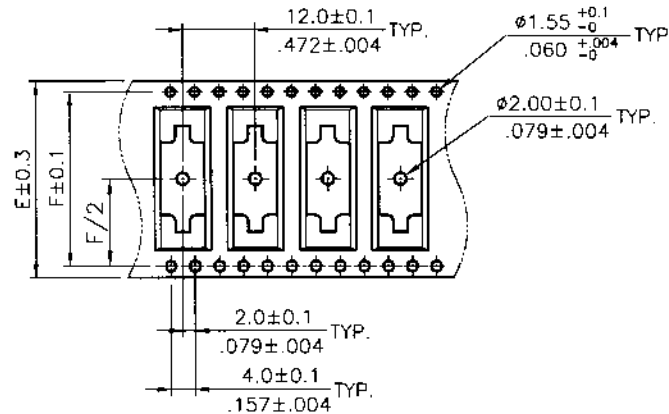
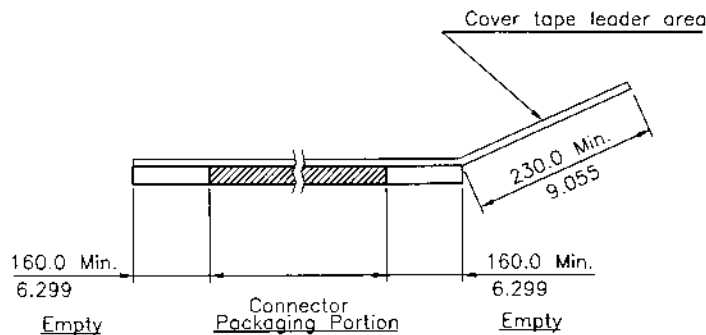


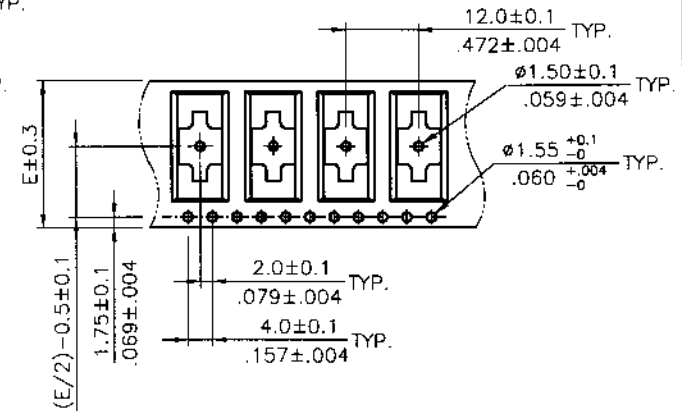
NOTE :

- \* Reel Material : HIPS
- \* Carrier Material : Clear, Conductive Polystyrene Alloy
- \* Cover Tape Material : Polyester
- \* Cover Tape Peel Strength : 0.1N - 1.3N
- \* Carrier camber is within 1mm in 100mm
- \* All dimensions meet EIA-481-2 & EIA-481-3 requirements.
- \* Quantity : 1000 PCS/Reel

Circuits	Dimension					Packing (Reel/Caton)
	E	F	W1	W2	W3	
6-22	24.0(.945)	-	24.5(.965)	30.5(1.200)	24.5(.965)	9
23-32	32.0(1.260)	28.40(1.118)	32.5(1.280)	38.5(1.516)	32.5(1.280)	7
33-50	44.0(1.732)	40.40(1.596)	44.5(1.752)	50.5(1.988)	44.5(1.752)	5



WIDTH : 32.44 mm Carrier



WIDTH : 24 mm Carrier

4				DATE	UNIT: mm / inch	TITLE: TAPE & REEL PACKAGING FOR CF21 SERIES TOP ENTRY TYPE	
3		DRAWN BY: Sandy		1/5-00	TOLERANCE UNLESS OTHERWISE SPECIFIED	MATERIAL:	
2		ENGINEER: Sandy		1/5-00	X ±	X' ± 1'	
1		CHECKED BY: Amy		1/5-00	XX ±	X ±	PART NO.
SYM	NAME	DATE		APPROVED BY: Amy	1/5-00	XXX ±	XX ±
							SHEET 1 OF 1