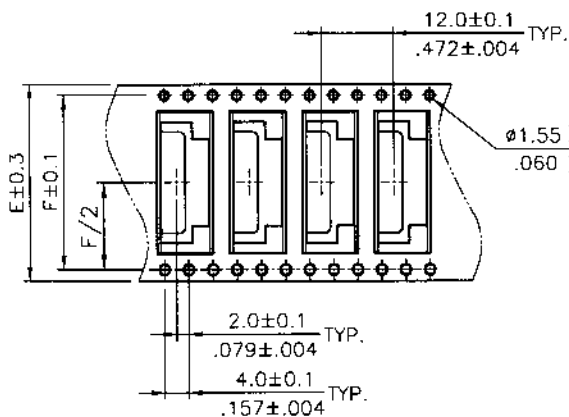
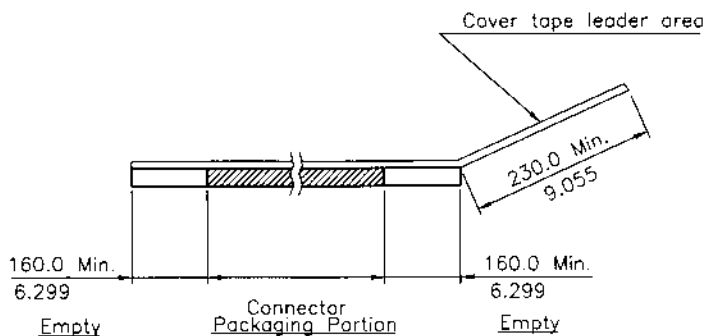


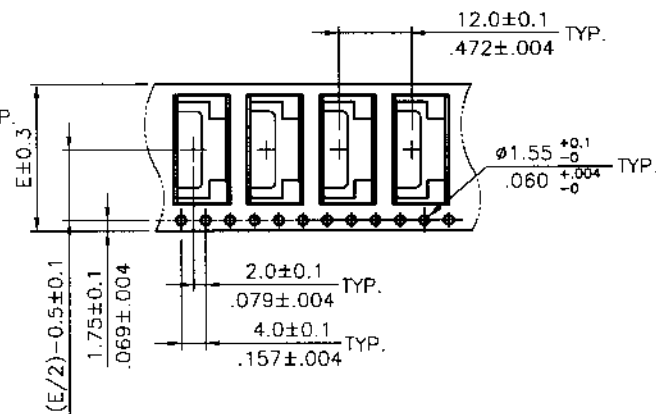
NOTE :

- * Reel Material : HIPS
- * Carrier Material : Clear, Conductive Polystyrene Alloy
- * Cover Tape Material : Polyester
- * Cover Tape Peel Strength : 0.1N - 1.3N
- * Carrier camber is within 1mm in 100mm
- * All dimensions meet EIA-481-2 & EIA-481-3 requirements.
- * Quantity : 2000 PCS/Reel


Circuits	Dimension					Packing (Reel/Caton)
	E	F	W1	W2	W3	
6-22	24.0(.945)	-	24.5(.965)	30.5(1.200)	24.5(.965)	9
23-32	32.0(1.260)	28.40(1.118)	32.5(1.280)	38.5(1.516)	32.5(1.280)	7
33-50	44.0(1.732)	40.40(1.596)	44.5(1.752)	50.5(1.988)	44.5(1.752)	5



WIDTH : 32.44 mm Carrier



WIDTH : 24 mm Carrier

4					DATE	UNIT: mm / inch	TITLE: TAPE & REEL PACKAGING FOR CF21 SERIES SIDE ENTRY TYPE	 瀚荃股份有限公司 Cvilux Corporation		
3					DRAWN BY: Sandy 1/5-00'	TOLERANCE UNLESS OTHERWISE SPECIFIED	MATERIAL:			
2					ENGINEER: Sandy 1/5-00'	X ±	X' ± 1'	FINISH:	SCALE	SHEET 1 OF 1
1					CHECKED BY: Amy 1/5-00'	XX ±	X ±			
SYM	NAME	DATE	REVISIONS		APPROVED BY: Amy 1/5-00'	XXX ±	XX ±			

