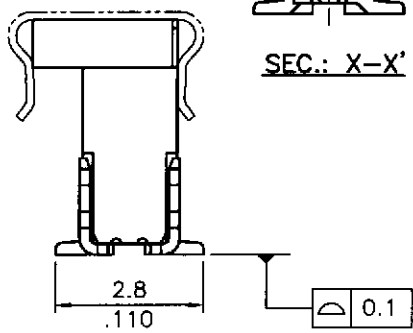
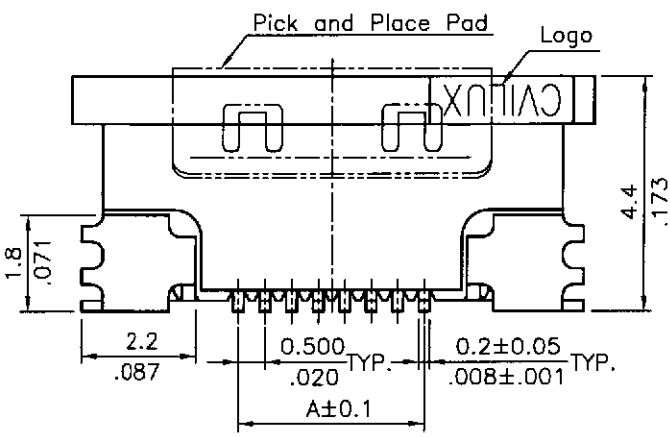
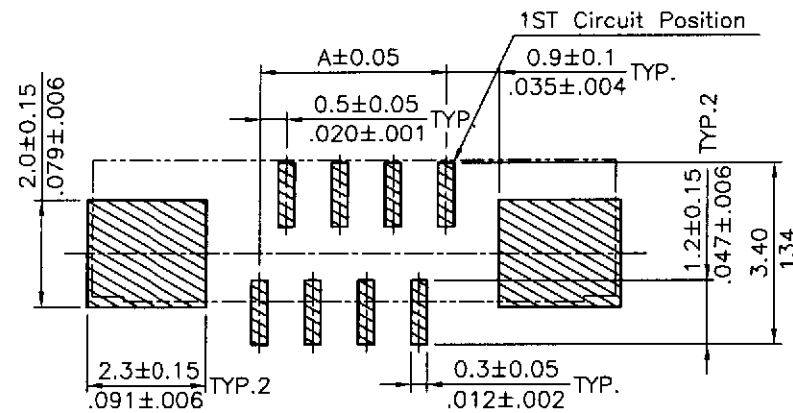


SEC.: X-X'

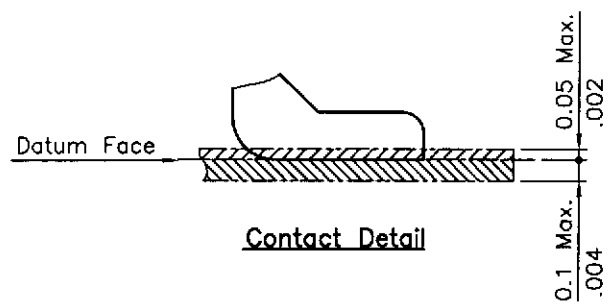


A = 0.50 x No. of Spaces
 B = A + 6.4
 C = A + 1.1

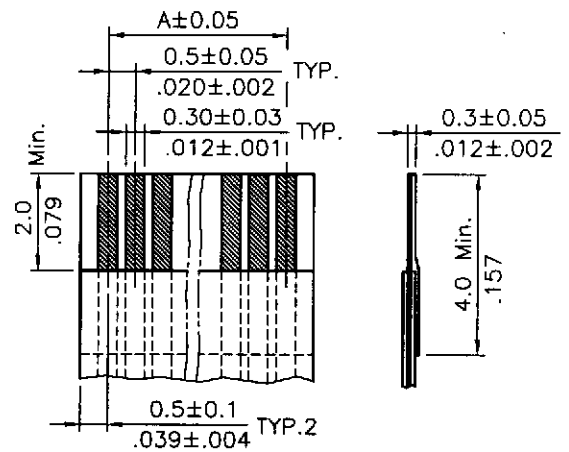
* Available in 6 through 50 circuits



Sold Pad Pattern



Contact Detail



Accommodated FFC/FPC

Material :
 * Body : PPS With 40% GF. UL 94V-0, Color Nature
 * Slider : PPS With 40% GF. UL 94V-0, Color Brown
 * Contact : Phosphor Bronze, With Tin-Lead plated
 * Fixed tab : Brass, With Tin-Lead plated

Ordering Code

CF21 50 1 V 0 R 0
 ① ② ③ ④ ⑤ ⑥ ⑦

- ① Series No.
- ② No. of Circuits
- ③ Plating code: 1 = 3.05μm(120μ") Min. Tin-lead over 0.76μm(30μ") Nickel
- ④ Contact style: V= Vertical Type
- ⑤ Color: 0= Nature
- ⑥ Packing Type: R= Tape & Reel
T= Tube Packing
- ⑦ Other options:
0= Without Pick and Place Pad(Standard)
P= With Pick and Place Pad

①				DATE	UNIT: mm / inch	TITLE: 0.50mm(.031") ZIF FFC/FPC VERTICAL TYPE SURFACE MOUNT CONNECTOR	
③		DRAWN BY: Sandy 10/6-00			TOLERANCE UNLESS OTHERWISE SPECIFIED	MATERIAL:	
②		ENGINEER: Sandy 10/6-00			X ± 0.15/.006 X' ± 1'	FINISH:	
①		CHECKED BY: Amy 10/6-00			.XX ± 0.10/.004 .X' ±		
SYM	NAME	DATE	REVISIONS	APPROVED BY: Amy 10/6-00	.XXX ± 0.05/.002 .XX ±	DRAWING NO. CF2103SB	PART NO. CF21**1VOR* CF21**1VOT*
						SCALE 5 / 1	SHEET 1 OF 1