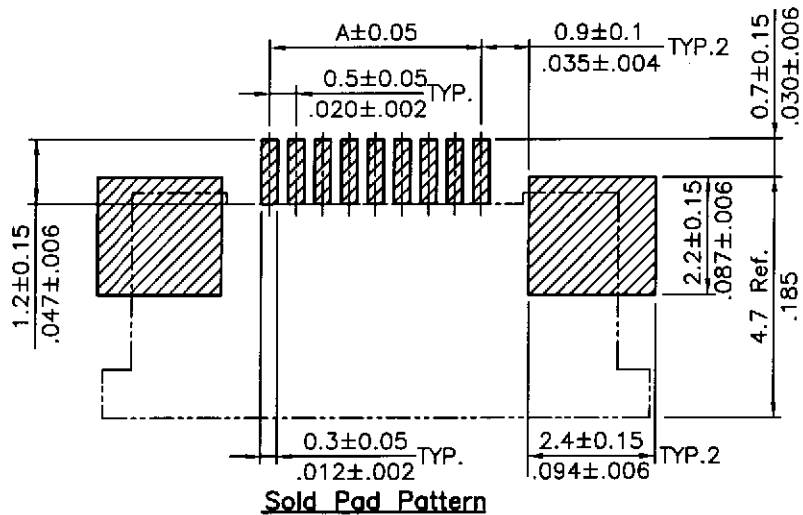
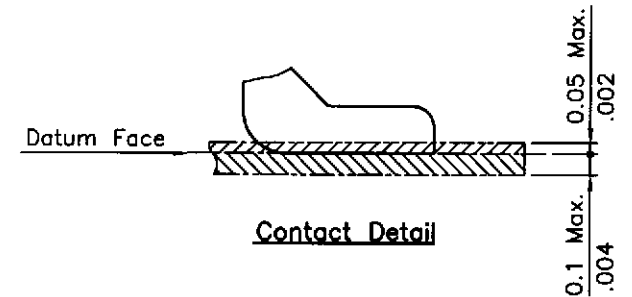
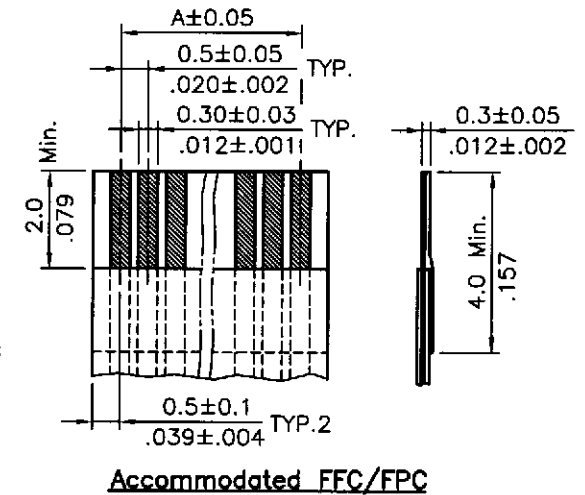



- Material :
- \* Body : PPS With 40% GF. UL 94V-0  
Color Nature
  - \* Slider : PPS With 40% GF. UL 94V-0  
Color Brown
  - \* Contact : Phosphor Bronze,  
With Tin-Lead plated
  - \* Fixed tab : Brass, With Tin-Lead plated



A = 0.50 x No. of Spaces  
 B = A + 6.4  
 C = A + 1.1  
 \* Available in 6 through 50 circuits



4				DATE	UNIT: mm / inch	TITLE: 0.50mm(.020") ZIF FFC/FPC UPSIDE CONTACT SURFACE MOUNT CONNECTOR	 瀚荃股份有限公司 CviLux Corporation
3				DRAWN BY: <i>Joung</i> 8/00	TOLERANCE UNLESS OTHERWISE SPECIFIED	MATERIAL:	
2				ENGINEER: <i>Sandy</i> 8/00	X ± 0.15/006 X' ± 1'	FINISH:	DRAWING NO. CF2102SB PART NO. CF21**1U0TO CF21**1U0R0
1				CHECKED BY: <i>Sandy</i> 8/00	.XX ± 0.10/004 X' ±		SCALE 5 / 1 SHEET 1 OF 1
SYM	NAME	DATE		APPROVED BY: <i>AV</i> 8/00	.XXX ± 0.05/002 .XX' ±		

