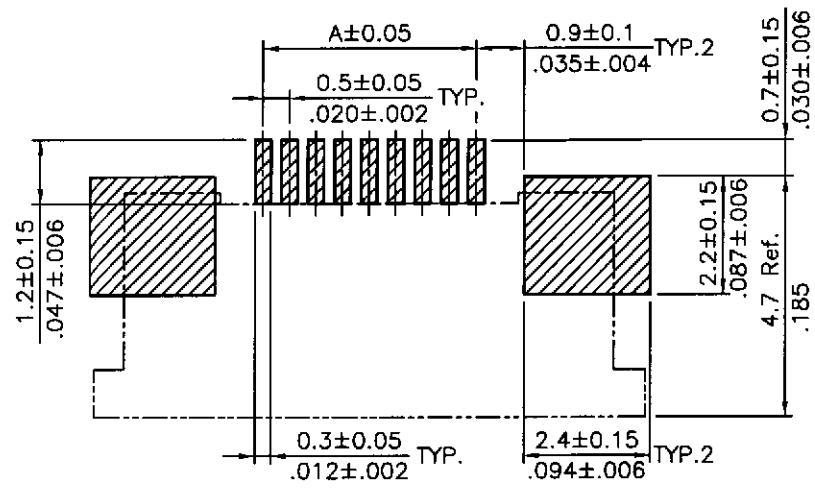
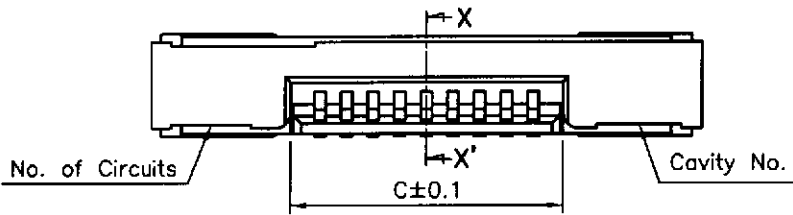
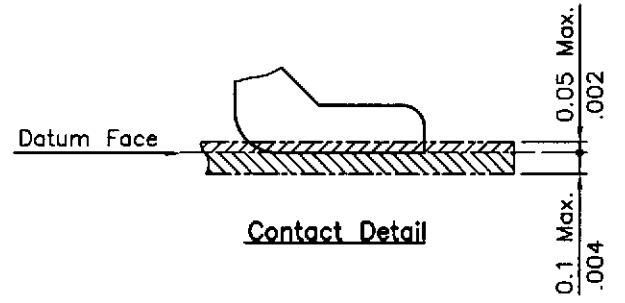
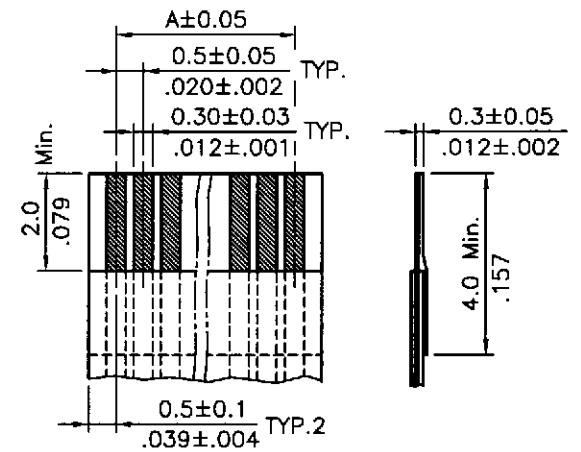


- Material :
- * Body : PPS With 40% GF. UL 94V-0
Color Nature
 - * Slider : PPS With 40% GF. UL 94V-0
Color Brown
 - * Contact : Phosphor Bronze,
With Tin-Lead plated
 - * Fixed tab : Brass, With Tin-Lead plated





A = 0.50 x No. of Spaces
 B = A + 6.4
 C = A + 1.1
 * Available in 6 through 50 circuits



Sold Pad Pattern

Accommodated FFC/FPC

4					DATE	UNIT: mm / inch	TITLE: 0.50mm(.031") ZIF FFC/FPC DOWNSIDE CONTACT SURFACE MOUNT CONNECTOR	 瀚基股份有限公司 CiVilux Corporation
3					UNLESS OTHERWISE SPECIFIED		MATERIAL:	
2					DRAWN BY: <i>Joseph</i>	X ± 0.15/006	X' ± 1'	DRAWING NO. CF2101SB
1					ENGINEER: <i>Sandy</i>	XX ± 0.10/004	X ±	PART NO.
SYN	NAME	DATE			CHECKED BY: <i>Sandy</i>	JXX ± 0.05/002	JXX ±	CF21**1D0T0 CF21**1D0R0
					APPROVED BY: <i>Allen</i>			SCALE 7 / 1
								SHEET 1 OF 1