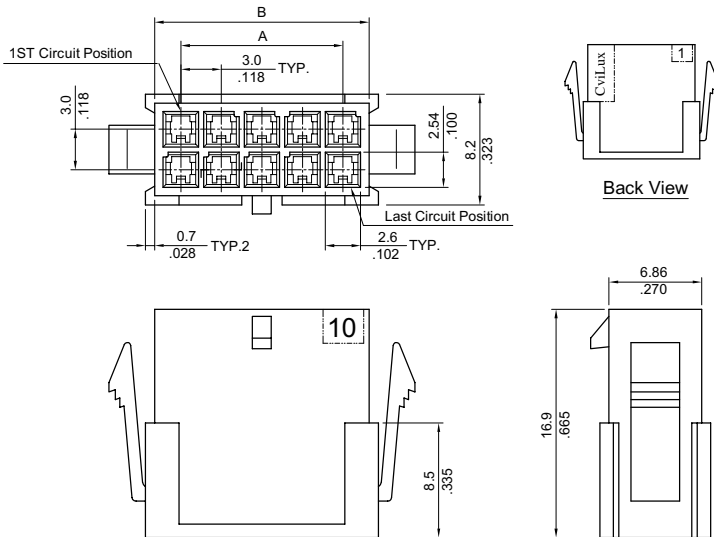


CP35 Series Plug Connectors

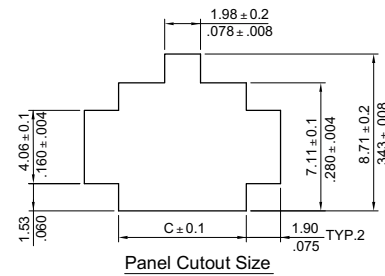
- ⊙ With mounting ears
- ⊙ Available in 2 through 24 circuits
- ⊙ Can be used CP35 Crimp terminal
- ⊙ Thermal Plastics 66 UL 94V-0, Color Black
- ⊙ Terminal accommodated AWG #20 ~ #24



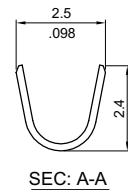
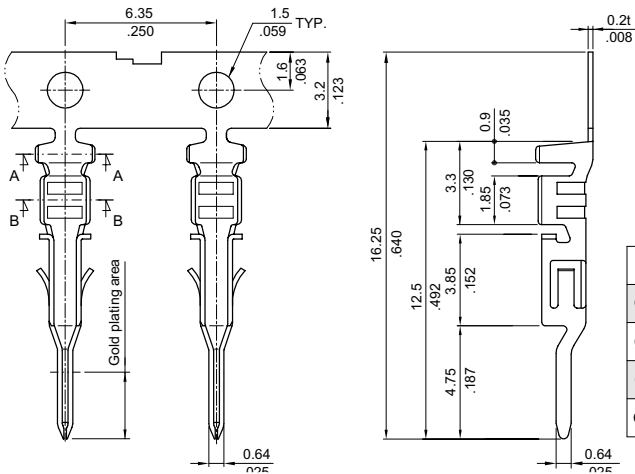
:E159616



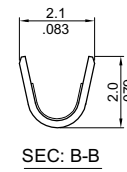
Circuits	Dimension		
	A	B	C
2	—	3.9(.154)	4.09(.161)
4	3.0(.118)	6.9(.272)	7.09(.279)
6	6.0(.236)	9.9(.390)	10.08(.397)
8	9.0(.354)	12.9(.508)	13.08(.515)
10	12.0(.472)	15.9(.626)	16.06(.633)
12	15.0(.591)	18.9(.744)	19.08(.751)
14	18.0(.709)	21.9(.862)	22.07(.869)
16	21.0(.827)	24.9(.980)	25.07(.967)
18	24.0(.945)	27.9(1.098)	26.07(1.105)
20	27.0(1.063)	30.9(1.217)	31.06(1.223)
22	30.0(1.181)	33.9(1.335)	34.06(1.341)
24	33.0(1.299)	36.9(1.453)	37.06(1.459)



Panel Cutout Size



SEC: A-A



SEC: B-B

Part No.	Wire Gauge	Insulation Diameter	Finish	Reel Q'TY
CP35TN21PEP	AWG #20-#24	2.50 (.098) MAX.	Tin-lead over Nickel	12,000 PCS
CP35TN2APEP	AWG #20-#24	2.50 (.098) MAX.	Selective Gold flash over Nickel	12,000 PCS
CP35TN2BPEP	AWG #20-#24	2.50 (.098) MAX.	Selective 15µin Gold plated over Nickel	12,000 PCS
CP35TN2CPEP	AWG #20-#24	2.50 (.098) MAX.	Selective 30µin Gold plated over Nickel	12,000 PCS

Ordering Code

1 CP35 **2** 24 **3** P **4** 001 **5** 0

- ① Series No.
- ② Connector: 02 to 24
- ③ Contact type: P=Plug
- ④ Color: 001= Color Black
- ⑤ Other options:
0= Standard
*Special option consult manufacturer

1 CP35 **2** TN2 **3** 1 **4** P **5** E **6** P

- ① Series No.
- ② Accept wire gage:
TN2 for AWG #20 ~ #24
- ③ Plating code:
1= Tin-lead over Nickel
A= Selective 1.2 µin Gold plated over Nickel
B= Selective 15 µin Gold plated over Nickel
- C= Selective 30 µin Gold plated over Nickel
- ④ Material:
P= Phosphor Bronze
- ⑤ Plating method: E= Pre-tinned
- ⑥ Style: P = Plug terminal