

## Introduction

The CP system power connector includes several of center spacing receptacle and plug connectors, Connector housings available in Nylon 66 with flammability rating of UL 94V-2 or UL 94V-0. The Male and Female crimp terminals standard plating is Tin-Lead, it is options to accommodate wide range wires to meet your requirement.

This power connector family constructed with free hanging or panel mounted wire-to-board and wire-to-wire configurations. The connectors housing designed features including with positive polarization, Furthermore, the latching lock and locking tab is useful in high vibration assembly operations and situation where assembly free hanging in equipment.

Molded mounting peg of headers will assure the lead is properly positioned on the pad, thus assuring the highest quality solder fillet. It also prevents damage of printed circuitry while connect and disconnect.

This system is popular using in Home Appliance, Computers, Power Supply unit and Automobile industry for wire-to-board interconnect.



## System CP Technical Specifications

TEST METHODS FOR ELECTRONIC CONNECTOR IS ACCORDING TO FOLLOWING MILITARY STANDARD:

Dielectric Withstanding Voltage	- Per MIL-STD-1344A method 3001.1
Contact Resistance	- Per MIL-STD-1344A method 3002.1
Insulation Resistance	- Per MIL-STD-1344A method 3003.1
Solderability	- Per MIL-STD-202F method 208D

### 2.50mm (.098") Center spacing Wire to Wire Connector

<b>Electrical Data-</b>	<b>Construction-</b>
Current rating: 3 Amps max.	Insulator: Color Black, Nylon 66
Dielectric Withstanding: 1000 VAC for one minute	Flammability Rating: UL 94V-2
Contact Resistance: < 20 mΩ	Contacts: Copper alloy
Insulation Resistance: > 500 MΩ	Contacts plated: Tin-lead over 1.27 μm (50μin) Nickel
Operating Temperature: -25°C - +85°C	
Applicable panel thickness: 0.5 to 2.0 mm	

### 3.0mm (.118") Center spacing Wire to Wire Connector

<b>Electrical Data-</b>	<b>Construction-</b>
Current rating: 10 Amps max.	Insulator: Color Black, Thermal Plastics
Dielectric Withstanding: 1500 VAC for one minute	Flammability Rating: UL 94V-0
Contact Resistance: < 5 mΩ	Contacts: Phosphor Bronze
Insulation Resistance: > 1000 MΩ	Contacts plating: Tin-lead over 1.27 μm (50 μin) Nickel
Operating Temperature: -40°C - +105°C	

### 3.68mm (.145") Center spacing Wire to Wire Connector

<b>Electrical Data-</b>	<b>Construction-</b>
Current rating: 5 Amps max.	Insulator: Color Natural, Nylon 66
Dielectric Withstanding: 1500 VAC for one minute	Flammability Rating: UL 94V-2
Contact Resistance: < 20 mΩ	Contacts: Brass
Insulation Resistance: > 1000 MΩ	Contacts plated: Tin-lead over 1.27 μm (50 μin) Nickel
Operating Temperature: -25°C - +85°C	

### 4.20mm (.165") Center spacing Wire to Wire Connector / Board Connector

<b>Electrical Data-</b>	<b>Construction-</b>
Current rating: 9 Amps max.	Insulator: Color Natural, Nylon 66
Dielectric Withstanding: 1500 VAC for one minute	Flammability Rating: UL 94V-0 or UL 94V-2
Contact Resistance: < 10 mΩ	Contacts: Copper alloy
Insulation Resistance: > 1000 MΩ	Contacts plated: Tin-lead over 1.27 μm (50 μin) Nickel
Operating Temperature: -25°C - +85°C	Please see plating code for other options.

### 4.50mm (.177") Center spacing Wire to Wire Connector

<b>Electrical Data-</b>	<b>Construction-</b>
Current rating: 5 Amps max.	Insulator: Color Natural, Nylon 66
Dielectric Withstanding: 1500 VAC for one minute	Flammability Rating: UL 94V-0
Contact Resistance: < 20 mΩ	Contacts: Brass
Insulation Resistance: > 1000 MΩ	Contacts plating: Tin-lead over 1.27 μm (50 μin) Nickel
Operating Temperature: -25°C - +85°C	

**System CP Technical Specifications**

**5.08mm (.200") Center spacing Wire to Wire Connector**

Electrical Data-  
 Current rating: 6 Amps max.  
 Dielectric Withstanding: 1500 VAC for one minute  
 Contact Resistance: < 20 mΩ  
 Insulation Resistance: > 1000 MΩ  
 Operating Temperature: -25°C - +85°C

Construction-  
 Insulator: Color Natural, Nylon 66  
 Flammability Rating: UL 94V-2  
 Contacts: Brass  
 Contacts plated: Tin-lead over 1.27 μm (50 μin) Nickel

**6.30mm (.244") Center spacing Wire to Wire Connector**

Electrical Data-  
 Current rating: 9 Amps max.  
 Dielectric Withstanding: 1500 VAC for one minute  
 Contact Resistance: < 20 mΩ  
 Insulation Resistance: > 1000 MΩ  
 Operating Temperature: -25°C - +85°C

Construction-  
 Insulator: Color Natural, Nylon 66  
 Flammability Rating: UL 94V-2  
 Contacts: Brass  
 Contacts plated: Tin-lead over 1.27 μm (50 μin) Nickel

**CP-01 Power Connectors**

- ⊙ Wire to Wire and Wire to Board
- ⊙ Straight and right angle headers
- ⊙ High density and high current

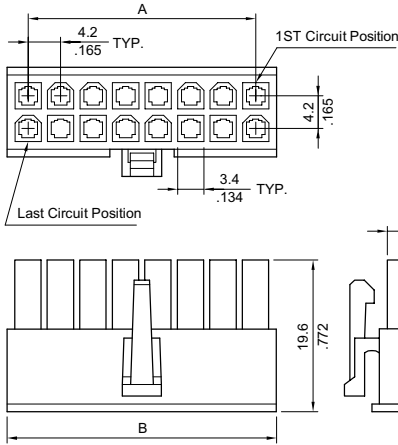
Plug	Receptacle	Plug	Receptacle
2 CIRCUITS 	2 CIRCUITS 	14 CIRCUITS 	14 CIRCUITS 
4 CIRCUITS 	4 CIRCUITS 	16 CIRCUITS 	16 CIRCUITS 
6 CIRCUITS 	6 CIRCUITS 	18 CIRCUITS 	18 CIRCUITS 
8 CIRCUITS 	8 CIRCUITS 	20 CIRCUITS 	20 CIRCUITS 
10 CIRCUITS 	10 CIRCUITS 	22 CIRCUITS 	22 CIRCUITS 
12 CIRCUITS 	12 CIRCUITS 	24 CIRCUITS 	24 CIRCUITS 

## CP-011 Series Receptacle Connectors

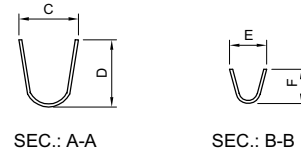
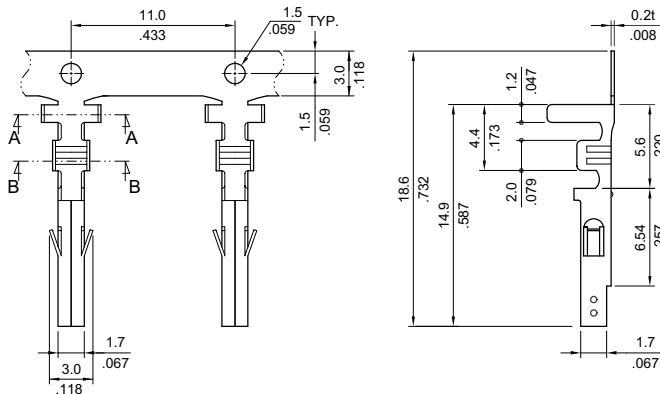
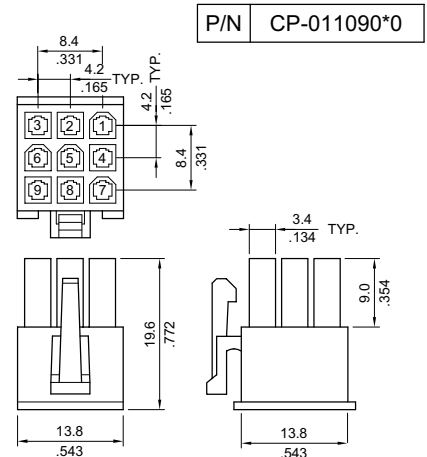
- ⊙ With locking latch
- ⊙ Available in 2 through 24 circuits
- ⊙ Mates CP-012, CP-013 or CP-014 connector
- ⊙ Nylon 66 UL 94 V-0 or V-2 insulator material
- ⊙ Can be used CP-011 crimp terminal
- ⊙ Terminal accommodated AWG #16 ~ #26



:E159616



Circuits	Dimension	
	A	B
2	-	5.5(.217)
4	4.2(.165)	9.7(.382)
6	8.4(.331)	13.9(.547)
8	12.6(.496)	18.1(.713)
10	16.8(.661)	22.3(.878)
12	21.0(.827)	26.5(1.043)
14	25.2(.992)	30.7(1.209)
16	29.4(1.157)	34.9(1.374)
18	33.6(1.322)	39.1(1.539)
20	37.8(1.487)	43.3(1.705)
22	42.0(1.652)	47.5(1.870)
24	46.2(1.817)	51.7(2.035)



Part No.	Wire Gauge	Dimension				Insulation Range	Material	Reel Q'ty
		C	D	E	F			
CP-01100101	AWG #22-26	3.4(.134)	3.3(.130)	2.5(.098)	2.3(.091)	0.9-1.8(.035-.071)	Tin Plated Brass	5,000 PCS
CP-01100102	AWG #18-22	4.0(.158)	4.5(.177)	2.5(.098)	2.3(.091)	1.3-3.1(.051-.122)	Tin Plated Brass	4,000 PCS
CP-01100103	AWG #22-26	3.4(.134)	3.3(.130)	2.5(.098)	2.3(.091)	0.9-1.8(.035-.071)	Tin Plated Phosphor Bronze	5,000 PCS
CP-01100104	AWG #18-22	4.0(.158)	4.5(.177)	2.5(.098)	2.3(.091)	1.3-3.1(.051-.122)	Tin Plated Phosphor Bronze	4,000 PCS
CP-01100105	AWG #16	4.0(.158)	4.5(.177)	2.8(.110)	2.7(.106)	1.8-3.1(.071-.122)	Tin Plated Brass	4,000 PCS
CP-01100106	AWG #16	4.0(.158)	4.5(.177)	2.8(.110)	2.7(.106)	1.8-3.1(.071-.122)	Tin Plated Phosphor Bronze	4,000 PCS

### Ordering Code

① CP - 01 ② 1 ③ 24 ④ 0 ⑤ 1 ⑥ 0

① Series No.  
② Contact Type:  
1 = Receptacle

③ No of Circuits  
02 to 24  
④ Plating: 0

⑤ Variation  
1= UL 94V-2 ; 6= UL 94V-2, BMI Type  
3= UL 94V-0 ; 7= UL 94V-0, BMI Type  
⑥ Other options:  
0= Standard  
\*Special option Consult manufacturer

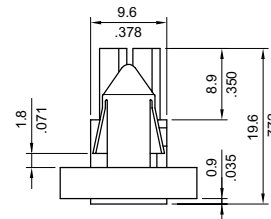
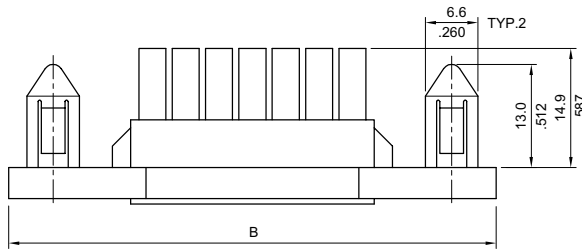
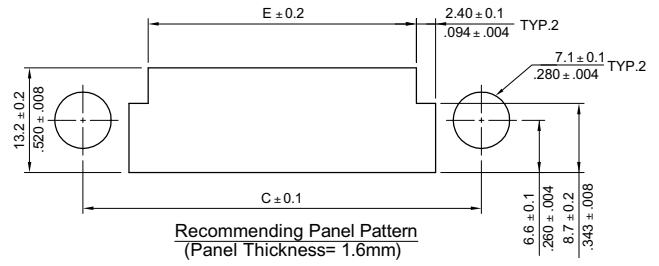
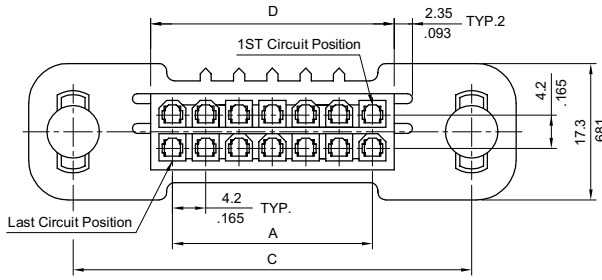
**CP-011 Series Blind mating panel mount Receptacle Connectors**

- ⊙ Mates CP-012, CP-013 or CP-014 connector
- ⊙ Nylon 66 UL 94 V-0 or V-2 insulator material
- ⊙ Can be used CP-011 crimp terminal
- ⊙ Terminal accommodated AWG #16 ~ #26



:E159616

P/N CP-011\*\*060 / CP-011\*\*070

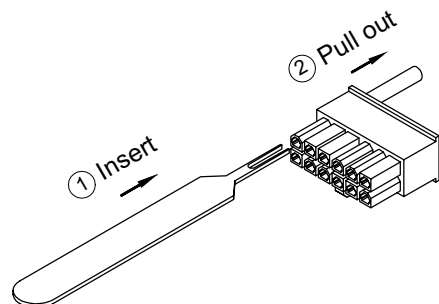
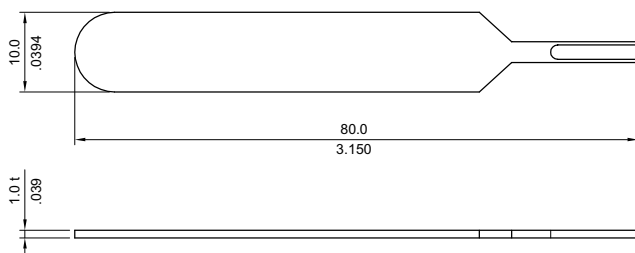


Circuits	Dimension				
	A	B	C	D	E
6	8.4(.331)	44.6(1.756)	33.4(1.315)	13.9(.547)	17.0(.669)
10	16.8(.661)	53.0(2.087)	41.8(1.646)	22.3(.878)	25.4(1.000)
14	25.2(.992)	61.4(2.417)	50.2(1.976)	30.7(1.209)	33.8(1.331)
18	33.6(1.323)	69.8(2.748)	58.6(2.307)	39.1(1.539)	42.2(1.661)
24	46.2(1.819)	82.4(3.244)	71.2(2.803)	51.7(2.035)	54.8(2.157)

**CP-011 Series Extractor Handed Tool**

- ⊙ Can be used CP-011 series crimp terminal

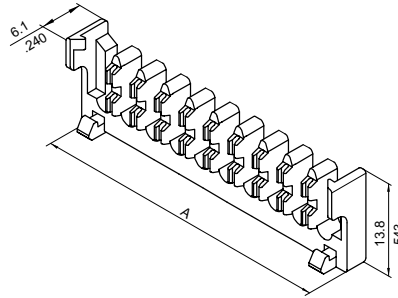
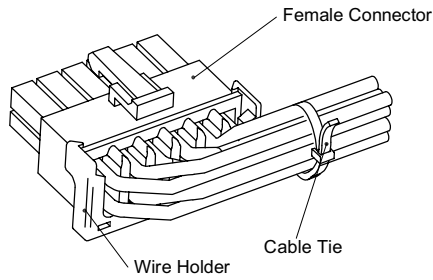
P/N CP-RWT-0100



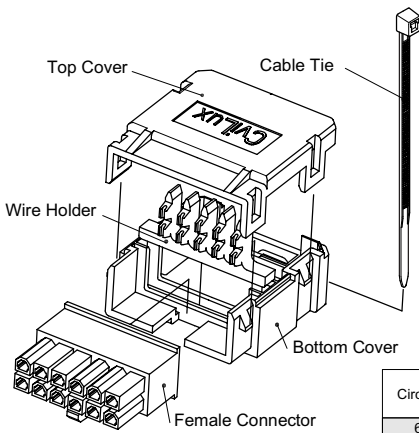
## CP-011 Series Wire Holder and Plastic Hood

- ⊙ Wire holder to secure contacts in position
- ⊙ Wire holder accommodated AWG #18 O.D. 2.2mm Max.
- ⊙ The Hood, Designed available with or without Wire Holder
- ⊙ These products will produce on custom made base. For detail information please consult our factory
- ⊙ Mate CP-011 Series Receptacle Connector
- ⊙ Nylon 66 UL 94V-2 or 94V-0

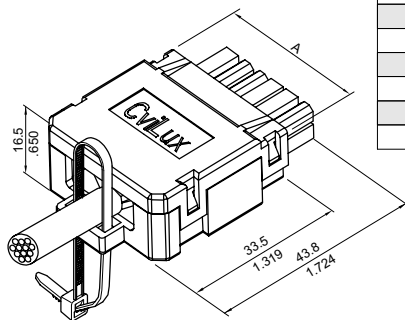
P/N CP010\*\*E200



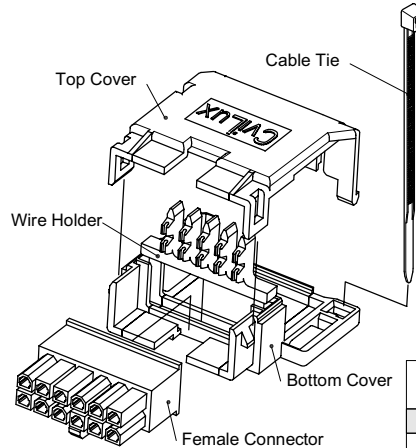
Circuits	CviLux P/N	Dimension	
		A	
4	CP01004E200	12.0(.472)	
6	CP01006E200	16.2(.638)	
8	CP01008E200	20.4(.803)	
10	CP01010E200	24.6(.969)	
12	CP01012E200	28.8(1.134)	
14	CP01014E200	33.0(1.299)	
16	CP01016E200	37.2(1.465)	
18	CP01018E200	41.4(1.630)	
20	CP01020E200	45.6(1.795)	
22	CP01022E200	49.8(1.961)	
24	CP01024E200	54.0(2.126)	



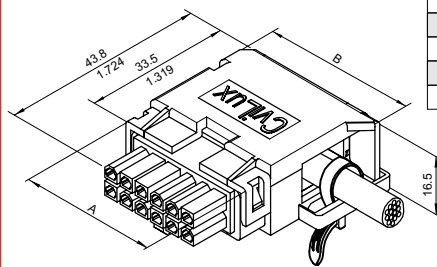
Circuits	Dimension	
	A	
6	20.4(.803)	
8	24.6(.969)	
10	28.8(1.134)	
12	33.0(1.299)	
14	37.2(1.465)	
16	41.4(1.630)	
18	45.6(1.795)	
20	49.8(1.961)	
22	54.0(2.126)	
24	58.2(2.291)	



Straight Type



Circuits	Dimension	
	A	B
6	20.4(.803)	26.0(1.024)
8	24.6(.969)	30.2(1.189)
10	28.8(1.134)	34.4(1.354)
12	33.0(1.299)	38.6(1.520)
14	37.2(1.465)	42.8(1.685)
16	41.4(1.630)	47.0(1.850)
18	45.6(1.795)	51.2(2.016)
20	49.8(1.961)	55.4(2.181)
22	54.0(2.126)	59.6(2.347)
24	58.2(2.291)	63.8(2.512)



Right Angle Type

### Ordering Code

① ② ③ ④ ⑤ ⑥

**CP - 01 24 H V 1 0**

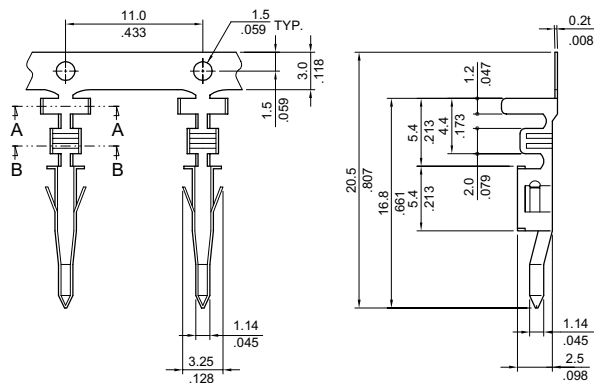
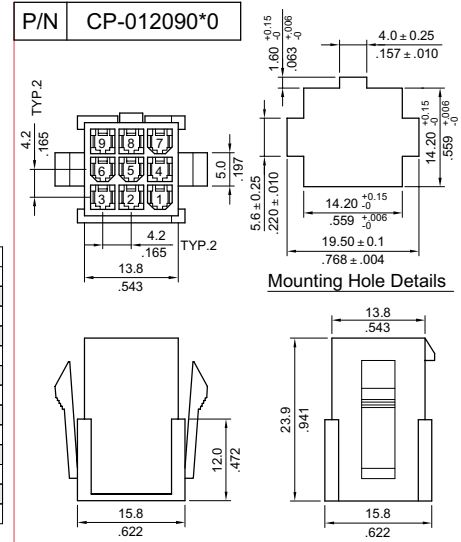
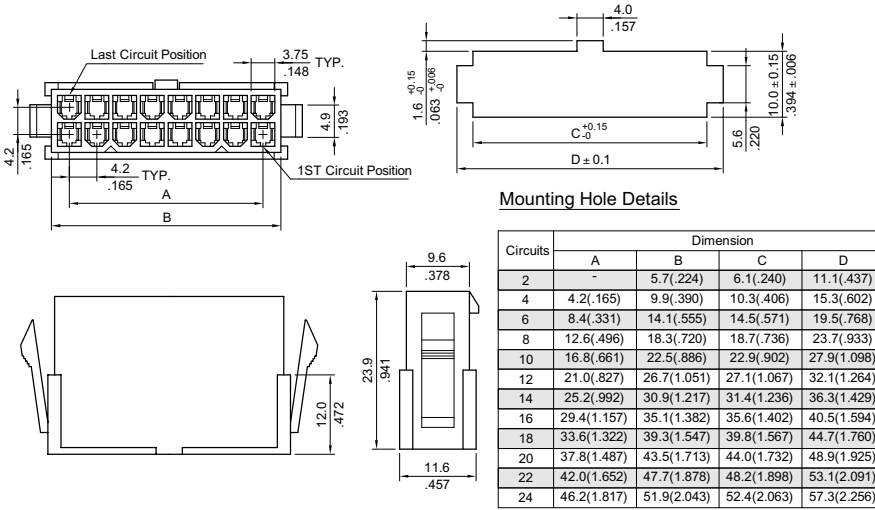
- ① Series No.
  - ② No of Circuits: 06 to 24
  - ③ H= Hood
  - ④ Style: V= Straight ; H= Right angle
  - ⑤ Color: 1= Black, 0= Nature
  - ⑥ Variation:
    - 0= UL 94V-0, Without Wire holder
    - 1= UL 94V-0, With Wire holder
    - 2= UL 94V-2, Without Wire holder
    - 3= UL 94V-2, With Wire holder
- \*Special option Consult manufacturer

**CP-012 Series Plug Connectors**

- With mounting ears
- Available in 2 through 24 circuits
- Mates CP-011 connector
- Nylon 66 UL 94 V-0 or V-2 insulator material
- Can be used CP-012 crimp terminal
- Terminal accommodated AWG #16 ~ #26



:E159616



Part No.	Wire Gauge	Dimension				Insulation Range	Material	Reel Q'ty
		C	D	E	F			
CP-01200101	AWG #22-26	3.4(.134)	3.3(.130)	2.5(.098)	2.3(.091)	0.9-1.8(.035-.071)	Tin Plated Brass	5,000 PCS
CP-01200102	AWG #18-22	4.0(.158)	4.5(.177)	2.5(.098)	2.3(.091)	1.3-3.1(.051-.122)	Tin Plated Brass	4,000 PCS
CP-01200103	AWG #22-26	3.4(.134)	3.3(.130)	2.5(.098)	2.3(.091)	0.9-1.8(.035-.071)	Tin Plated Phosphor Bronze	5,000 PCS
CP-01200104	AWG #18-22	4.0(.158)	4.5(.177)	2.5(.098)	2.3(.091)	1.3-3.1(.051-.122)	Tin Plated Phosphor Bronze	4,000 PCS
CP-01200105	AWG #16	4.0(.158)	4.5(.177)	2.8(.110)	2.6(.102)	1.8-3.1(.071-.122)	Tin Plated Brass	4,000 PCS
CP-01200106	AWG #16	4.0(.158)	4.5(.177)	2.8(.110)	2.6(.102)	1.8-3.1(.071-.122)	Tin Plated Phosphor Bronze	4,000 PCS

**Ordering Code**

① ② ③ ④ ⑤ ⑥  
**CP - 01 2 24 0 0 0**

① Series No.  
 ② Contact Type:  
 2= Plug

③ No of Circuits:  
 02 to 24  
 ④ Plating: 0

⑤ Variation:  
 0= UL 94V-2  
 2= UL 94V-0  
 ⑥ Other options:  
 0= Standard  
 \*Special option Consult manufacturer



## CP-013 Series Straight DIP Solder Headers

- ⊙ Options PCB mounting pegs
- ⊙ Mates CP-011 Connector
- ⊙ Nylon 66 UL 94V-0 or V-2 insulator material

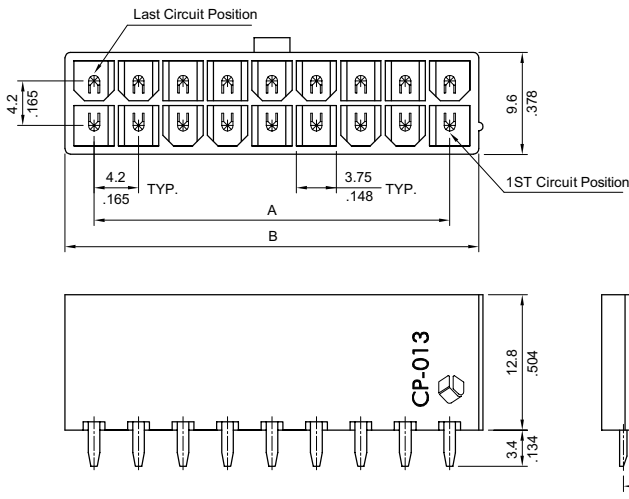


:E159616

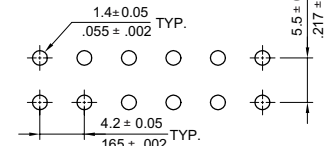
Ordering code	
<b>1</b>	<b>CP - 0 1</b>
<b>2</b>	<b>3</b>
<b>3</b>	<b>2 4</b>
<b>4</b>	<b>1</b>
<b>5</b>	<b>1</b>
<b>6</b>	<b>0</b>

**1** Series No.  
**2** Type of Connector:  
 3= Straight PCB mount header  
**3** No. of Circuit:  
 See below table  
**4** Plating code:  
 1= Tin-lead over Nickel  
 B= Selective 15 μin Gold plated over Nickel  
 C= Selective 30 μin Gold plated over Nickel  
**5** Variation:  
 1= UL 94V-2, Without mounting pegs  
 3= UL 94V-0, Without mounting pegs  
**4** UL 94V-2, With mounting pegs  
**5** UL 94V-0, With mounting pegs  
**6** Other options:  
 0= With draw holes shown  
 \*Special option consult manufacturer

P/N CP-013\*\*110 / CP-013\*\*130

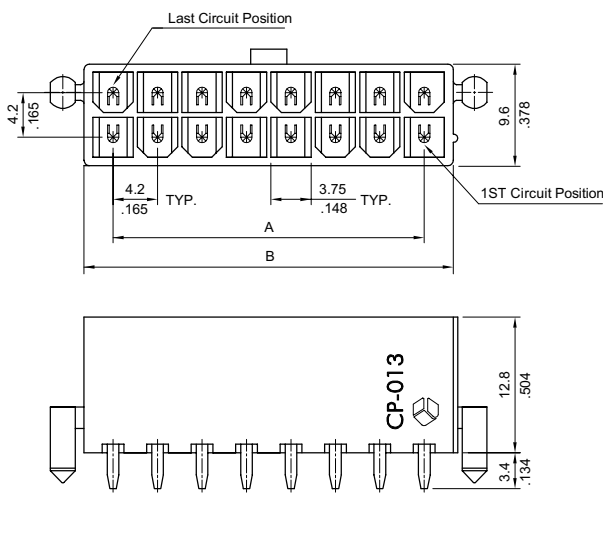


Circuits	Dimension	
	A	B
2	-	5.5(.217)
4	4.2(.165)	9.7(.382)
6	8.4(.331)	13.9(.547)
8	12.6(.496)	18.1(.713)
10	16.8(.661)	22.3(.878)
12	21.0(.827)	26.5(1.043)
14	25.2(.992)	30.7(1.209)
16	29.4(1.157)	34.9(1.374)
18	33.6(1.322)	39.1(1.539)
20	37.8(1.487)	43.3(1.705)
22	42.0(1.652)	47.5(1.870)
24	46.2(1.817)	51.7(2.035)

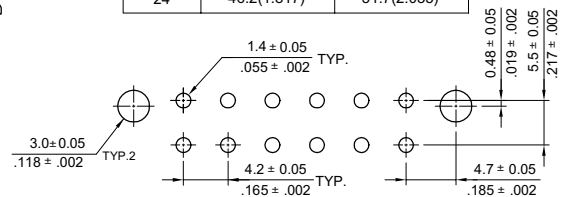


Recommended P.C. Board Layout

P/N CP-013\*\*140 / CP-013\*\*150



Circuits	Dimension	
	A	B
2	-	5.5(.217)
4	4.2(.165)	9.7(.382)
6	8.4(.331)	13.9(.547)
8	12.6(.496)	18.1(.713)
10	16.8(.661)	22.3(.878)
12	21.0(.827)	26.5(1.043)
14	25.2(.992)	30.7(1.209)
16	29.4(1.157)	34.9(1.374)
18	33.6(1.322)	39.1(1.539)
20	37.8(1.487)	43.3(1.705)
22	42.0(1.652)	47.5(1.870)
24	46.2(1.817)	51.7(2.035)



Recommended P.C. Board Layout



**CP-013 Series Straight DIP Solder Headers**

- ⊙ Options PCB mounting pegs
- ⊙ Mates CP-011 Connector
- ⊙ Nylon 66 UL 94V-0 or V-2 insulator material



:E159616

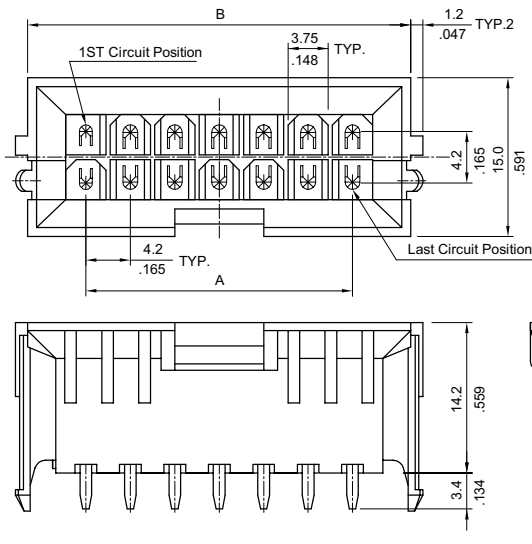
**Ordering code**

**1**      **2**      **3**      **4**      **5**      **6**

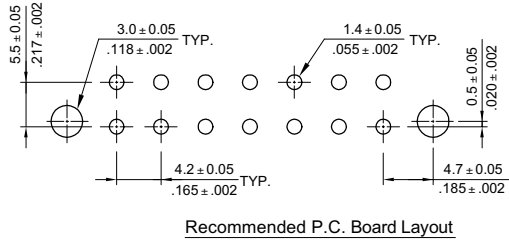
**CP - 0 1    3    2 4    1    6    0**

<p><b>1</b> Series No.</p> <p><b>2</b> Type of Connector: 3= Straight PCB mount header</p> <p><b>3</b> No. of Circuit: See below table</p>	<p><b>4</b> Plating code: 1= Tin-lead over Nickel B= Selective 15 μin Gold plated over Nickel C= Selective 30 μin Gold plated over Nickel</p>	<p><b>5</b> Variation: 6= UL 94V-2, B.M.I type 7= UL 94V-0, B.M.I type 8= UL 94V-2, With SQ. pin 9= UL 94V-0, With SQ. pin</p> <p><b>6</b> Other options: 0= Standard *Special option consult manufacturer</p>
--	---	--

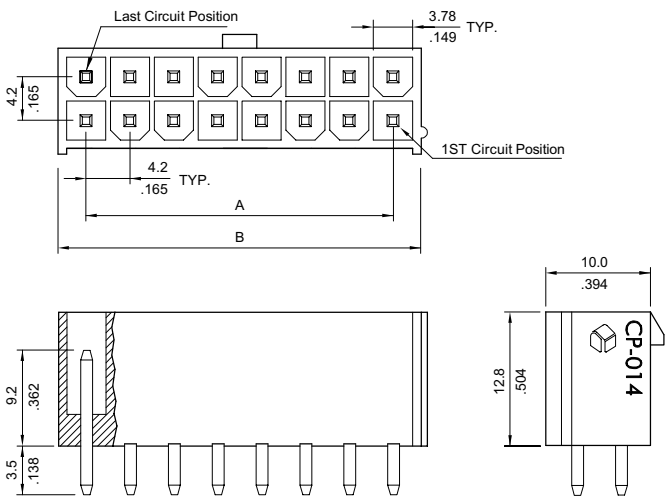
P/N CP-013\*\*160 / CP-013\*\*170



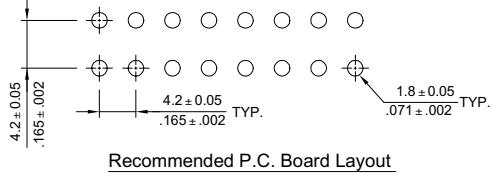
Circuits	Dimension	
	A	B
6	8.4(.331)	19.3(.760)
10	16.8(.661)	27.7(1.091)
14	25.2(.992)	36.1(1.421)
18	33.6(1.323)	44.5(1.752)
24	46.2(1.819)	57.1(2.248)



P/N CP-013\*\*180 / CP-013\*\*190



Circuits	Dimension	
	A	B
2	—	5.5(.217)
4	4.2(.165)	9.7(.382)
6	8.4(.331)	13.9(.547)
8	12.6(.496)	18.1(.713)
10	16.8(.661)	22.3(.878)
12	21.0(.827)	26.5(1.043)
14	25.2(.992)	30.7(1.209)
16	29.4(1.157)	34.9(1.374)
18	33.6(1.322)	39.1(1.539)
20	37.8(1.487)	43.3(1.705)
22	42.0(1.652)	47.5(1.870)
24	46.2(1.817)	51.7(2.035)



## CP-014 Series Right Angle DIP Solder Headers

- Option with mounting ears or pegs
- Mates CP-011 connector
- Nylon 66 UL 94 V-0 or V-2 insulator material



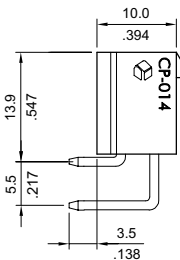
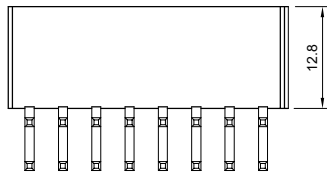
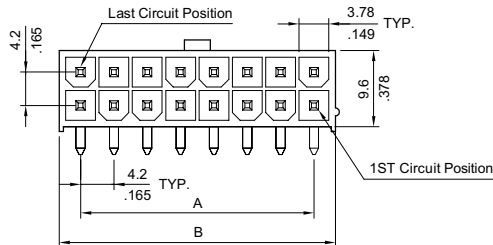
:E159616

### Ordering code

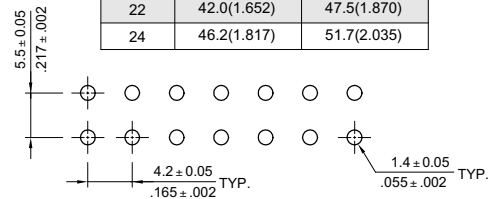
- |  |   |  |
|--|---|--|
| <p><b>1</b> Series No.</p> <p><b>2</b> Type of Connector:<br/>4= Right angle PCB mount header</p> <p><b>3</b> No of Circuits :<br/>See below table</p> | <p><b>4</b> Plating code:<br/>1= Tin-lead over Nickel<br/>2= Gold flash plated over Nickel<br/>3= 1.5 μm Gold plated over Nickel<br/>4= 30 μm Gold plated over Nickel</p> | <p><b>5</b> Variation:<br/>0= UL 94V-2, with mounting ears<br/>1= UL 94V-2, without mounting ears<br/>2= UL 94V-0, with mounting ears<br/>3= UL 94V-0, without mounting ears</p> <p><b>6</b> Other options:<br/>0= Standard<br/>*Special option consult manufacturer</p> |
|--|---|--|

1 2 3 4 5 6  
CP - 01 4 24 1 0 0

P/N CP-014\*\*110 / CP-014\*\*130

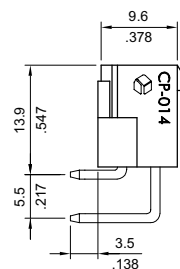
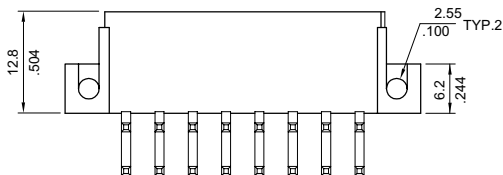
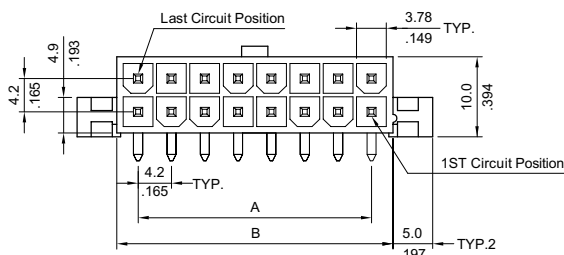


Circuits	Dimension	
	A	B
2	-	5.5(.217)
4	4.2(.165)	9.7(.382)
6	8.4(.331)	13.9(.547)
8	12.6(.496)	18.1(.713)
10	16.8(.661)	22.3(.878)
12	21.0(.827)	26.5(1.043)
14	25.2(.992)	30.7(1.209)
16	29.4(1.157)	34.9(1.374)
18	33.6(1.322)	39.1(1.539)
20	37.8(1.487)	43.3(1.705)
22	42.0(1.652)	47.5(1.870)
24	46.2(1.817)	51.7(2.035)

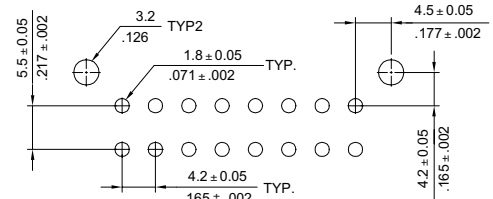


Recommended P.C. Board Layout

P/N CP-014\*\*100 / CP-014\*\*120



Circuits	Dimension	
	A	B
2	-	5.5(.217)
4	4.2(.165)	9.7(.382)
6	8.4(.331)	13.9(.547)
8	12.6(.496)	18.1(.713)
10	16.8(.661)	22.3(.878)
12	21.0(.827)	26.5(1.043)
14	25.2(.992)	30.7(1.209)
16	29.4(1.157)	34.9(1.374)
18	33.6(1.322)	39.1(1.539)
20	37.8(1.487)	43.3(1.705)
22	42.0(1.652)	47.5(1.870)
24	46.2(1.817)	51.7(2.035)



Recommended P.C. Board Layout

**CP-014 Series Right Angle DIP Solder Headers**

- ⊙ Option with mounting ears or pegs
- ⊙ Mates CP-011 connector
- ⊙ Nylon 66 UL 94 V-0 or V-2 insulator material



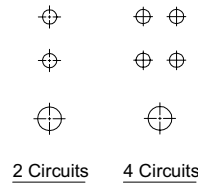
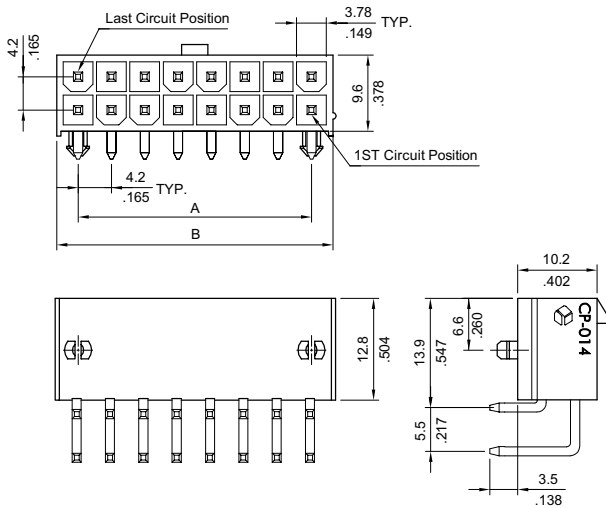
:E159616

**Ordering code**

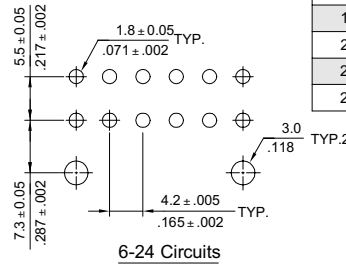
**1** CP - **0** **1** **2** **3** **4** **5** **6**

- 1** Series No.
- 2** Type of Connector:  
4= Right angle PCB mount header
- 3** No of Circuits :  
See below table
- 4** Plating code:  
1= Tin-lead over Nickel  
2= Gold flash plated over Nickel  
3= 1 5 μin Gold plated over Nickel  
4= 30 μin Gold plated over Nickel
- 5** Variation:  
4= UL 94V-2, with mounting pegs  
5= UL 94V-0, with mounting pegs  
6= UL 94V-2, B.M.I type  
7= UL 94V-0, B.M.I type
- 6** Other options:  
0= Standard  
\*Special option consult manufacturer

P/N CP-014\*\*140 / CP-014\*\*150

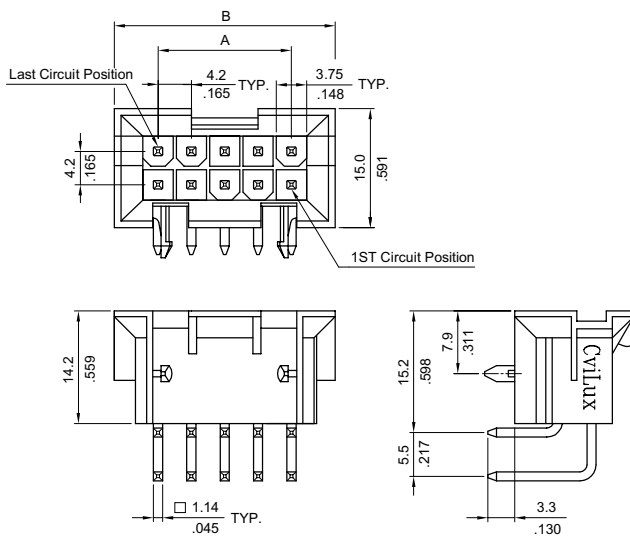


Circuits	Dimension	
	A	B
2	-	6.0(.236)
4	4.2(.165)	10.2(.402)
6	8.4(.331)	14.4(.567)
8	12.6(.496)	18.6(.732)
10	16.8(.661)	22.8(.898)
12	21.0(.827)	27.0(1.063)
14	25.2(.992)	31.2(1.228)
16	29.4(1.157)	35.4(1.394)
18	33.6(1.322)	39.6(1.559)
20	37.8(1.487)	43.8(1.724)
22	42.0(1.652)	48.0(1.890)
24	46.2(1.817)	52.2(2.055)

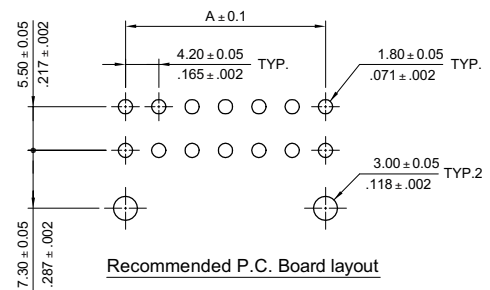


Recommended P.C. Board layout

P/N CP-014\*\*160 / CP-014\*\*170



Circuits	Dimension	
	A	B
6	8.4(.331)	19.3(.760)
10	16.8(.661)	27.7(1.091)
14	25.2(.992)	36.1(1.421)
18	33.6(1.323)	44.5(1.752)
24	46.2(1.819)	57.1(2.248)



Recommended P.C. Board layout

CP02 Series Wire to Wire Power Connectors

- ⊙ Option with or without mounting ears
- ⊙ CP02 Series Available in 1 through 15 circuits
- ⊙ Can be used CP02 Crimp terminal
- ⊙ Nylon 66 UL 94V-2, Color Nature
- ⊙ Terminal accommodated AWG #18 ~ #26



:E159616

**Ordering code**

1 2 3 4 5

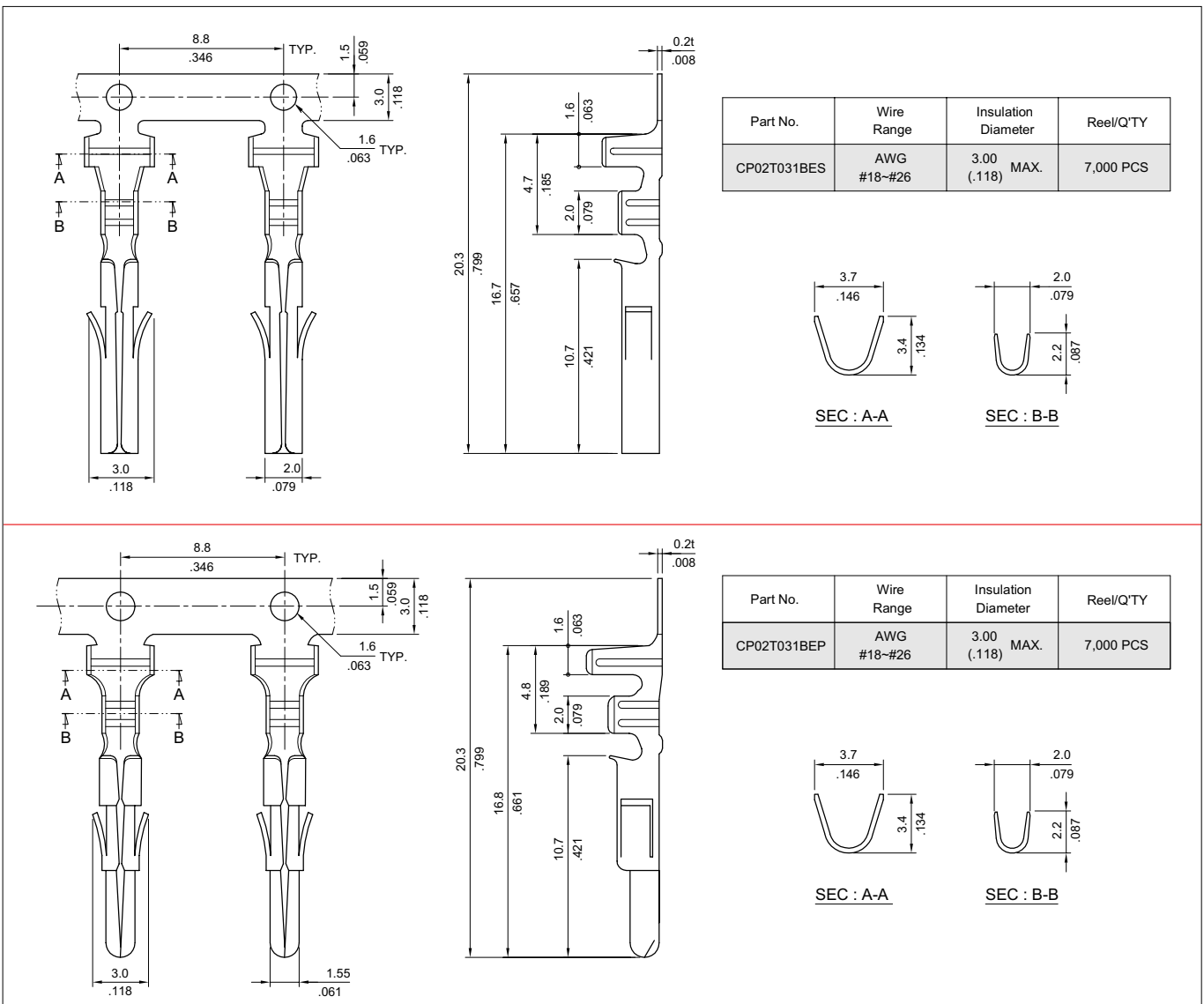
CP02 15 S E 000

1 Series No.: CP02  
2 Contacts: CP02 = 01 to 15  
3 Contact type: P = Plug ; S = Receptacle  
4 Style:  
 0= Without mounting ears  
 E= With mounting ears  
5 Other options:  
 000= Standard  
 \*Special option consult manufacturer

1 2 3 4 5 6

CP02 T03 1 B E S

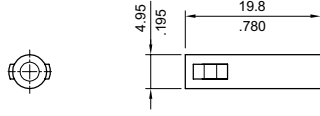
1 Series No. CP02  
2 Accept wire gage: T03 = AWG #18 ~ #26  
3 Plating code:  
 1= Tin-lead over Nickel  
4 Material: B = Brass  
5 Plating method: E = Pre-tinned  
6 Style: S = Receptacle terminal  
 P = Plug terminal



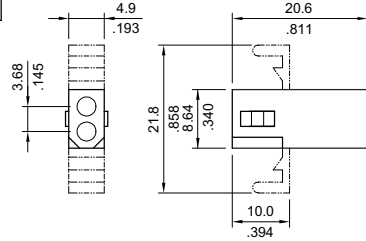
**CP02 Series Wire to Wire Receptacle Connectors**

◎ Style Code " \* ": 0 = Without mounting ears  
E = With mounting ears

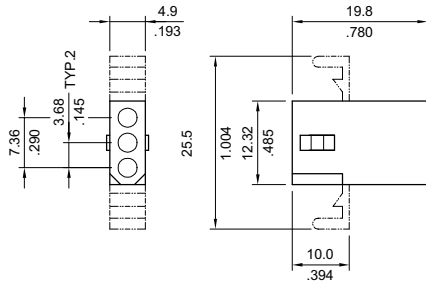
P/N CP0201S0000



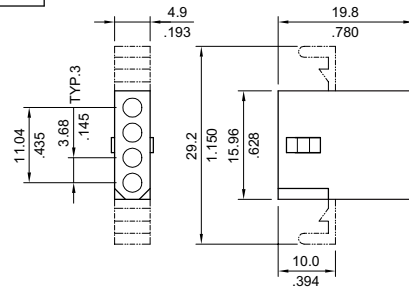
P/N CP0202S\*000



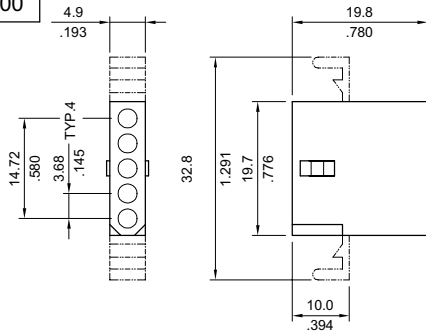
P/N CP0203S\*000



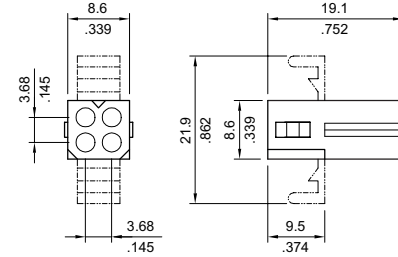
P/N CP0204S\*000



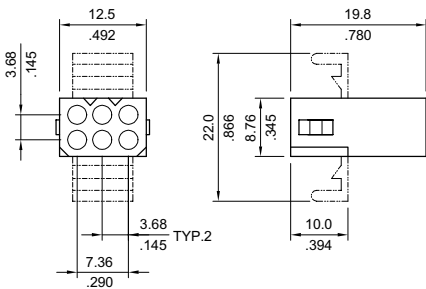
P/N CP0205S\*000



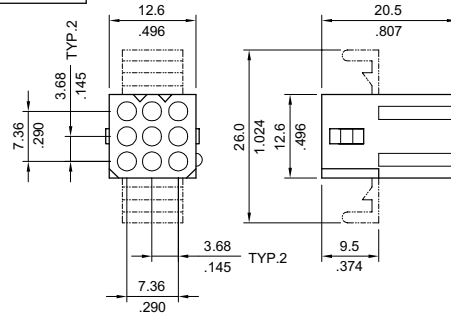
P/N CP0204S\*00A



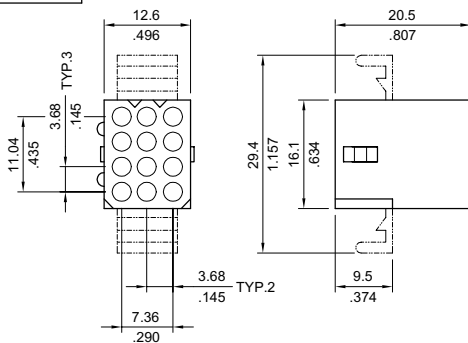
P/N CP0206S\*000



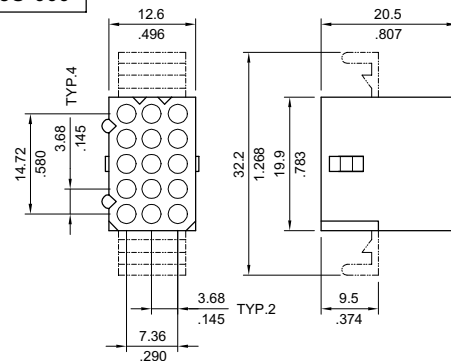
P/N CP0209S\*000



P/N CP0212S\*000



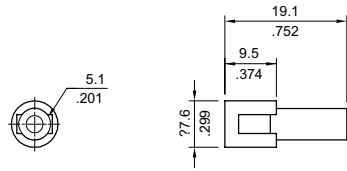
P/N CP0215S\*000



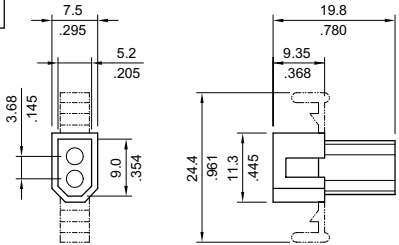
## CP02 Series Wire to Wire Plug Connectors

- Style Code " \* ": 0 = Without mounting ears  
E = With mounting ears

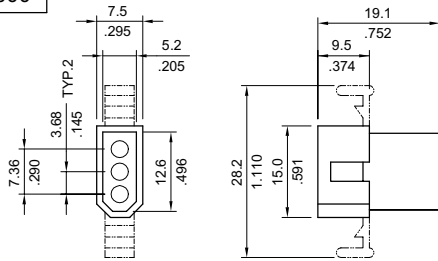
P/N CP0201P0000



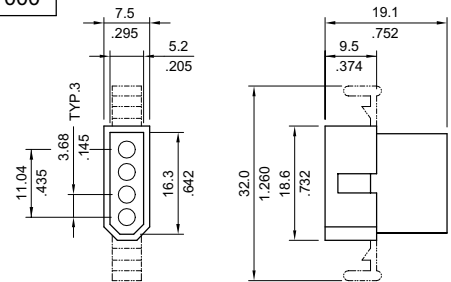
P/N CP0202P\*000



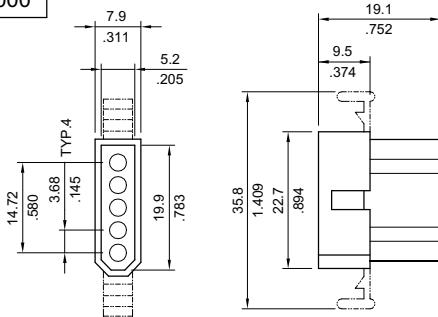
P/N CP0203P\*000



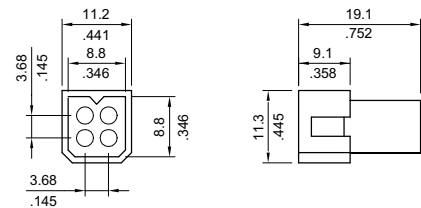
P/N CP0204P\*000



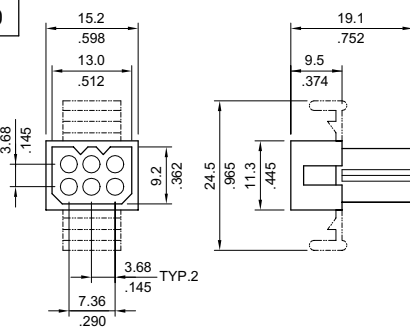
P/N CP0205P\*000



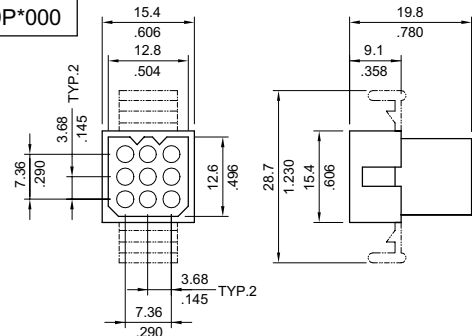
P/N CP0204P\*00A



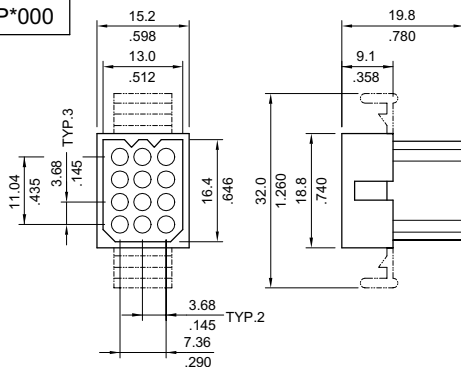
P/N CP0206P\*000



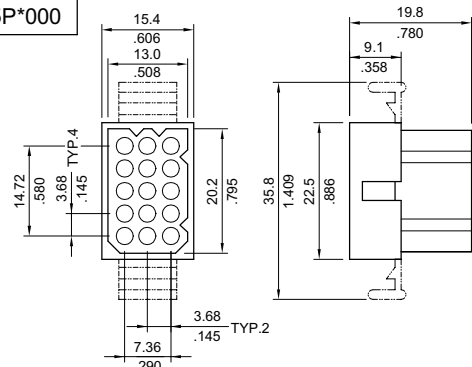
P/N CP0209P\*000



P/N CP0212P\*000



P/N CP0215P\*000

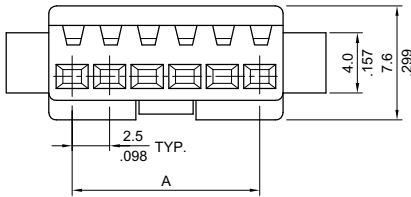


**CP06 Series Receptacle Connectors**

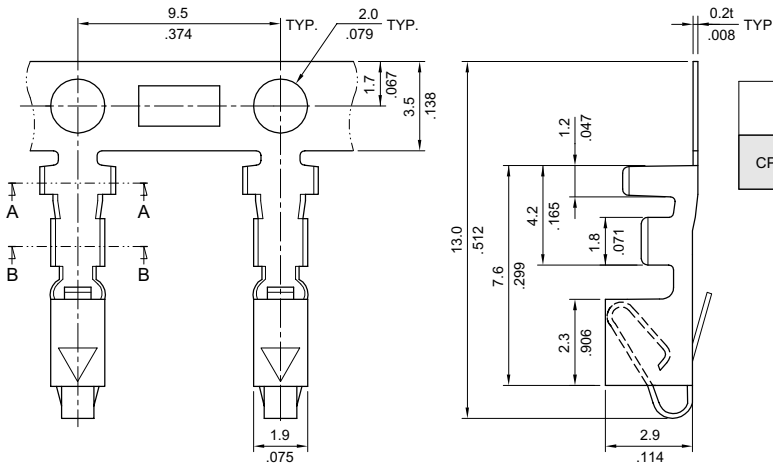
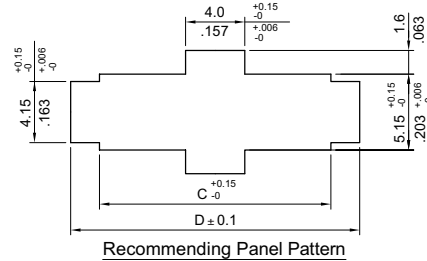
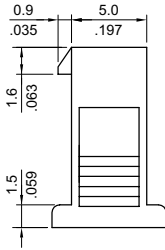
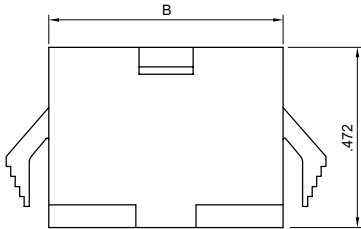
- ⊙ With locking latch
- ⊙ Available in 2 through 12 circuits
- ⊙ Can be used CP06 Crimp terminal
- ⊙ Nylon 66 UL 94V-2, Color Black
- ⊙ Terminal accommodated AWG #22 ~ #28



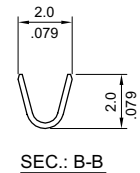
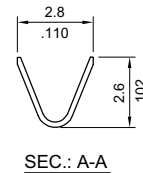
:E159616



Circuits	Dimension			Dim. D		
	A	B	C	PANEL t=0.5~0.9	PANEL t=1.0~1.5	PANEL t=1.5~2.0
2	2.5(.098)	5.5(.217)	5.8(.228)	9.6(.378)	9.8(.386)	10.0(.394)
3	5.0(.197)	8.0(.315)	8.3(.327)	12.1(.476)	12.3(.484)	12.5(.492)
4	7.5(.295)	10.5(.413)	10.8(.425)	14.6(.575)	14.8(.583)	15.0(.591)
5	10.0(.394)	13.0(.512)	13.3(.524)	17.1(.673)	17.3(.681)	17.5(.689)
6	12.5(.492)	15.5(.610)	15.8(.622)	19.6(.772)	19.8(.780)	20.0(.787)
7	15.0(.591)	18.0(.709)	18.3(.720)	22.1(.870)	22.3(.878)	22.5(.886)
8	17.5(.689)	20.5(.807)	20.8(.819)	24.6(.969)	24.8(.976)	25.0(.984)
9	20.0(.787)	23.0(.905)	23.3(.917)	27.1(1.067)	27.3(1.075)	27.5(1.083)
10	22.5(.886)	25.5(1.004)	25.8(1.016)	29.6(1.165)	29.8(1.173)	30.0(1.181)
11	25.0(.984)	28.0(1.102)	28.3(1.114)	32.1(1.264)	32.3(1.272)	32.5(1.280)
12	27.5(1.083)	30.5(1.201)	30.8(1.213)	34.6(1.362)	34.8(1.370)	35.0(1.378)



Part No.	Wire Range	Insulation Diameter	Reel Q'ty
CP06T021*ES	AWG #22-#28	1.8 (.071) MAX.	7,000 PCS



**Ordering Code**

**1** **2** **3** **4** **5**  
**CP06 12 S 001 0**

**1** **2** **3** **4** **5** **6**  
**CP06 T02 1 B E S**

- ① Series No.
- ② Connector: 02 to 12
- ③ Contact type: S = Receptacle
- ④ Color: 001= Color Black
- ⑤ Other options:  
0= Standard  
\*Special option consult manufacturer

- ① Series No.
- ② Accept wire gage:  
T02 for AWG #22 ~ #28
- ③ Plating code:  
1= Tin-lead over Nickel

- ④ Material:  
B= Brass  
P= Phosphor Bronze
- ⑤ Plating method: E= Pre-tinned
- ⑥ Style: S = Receptacle terminal

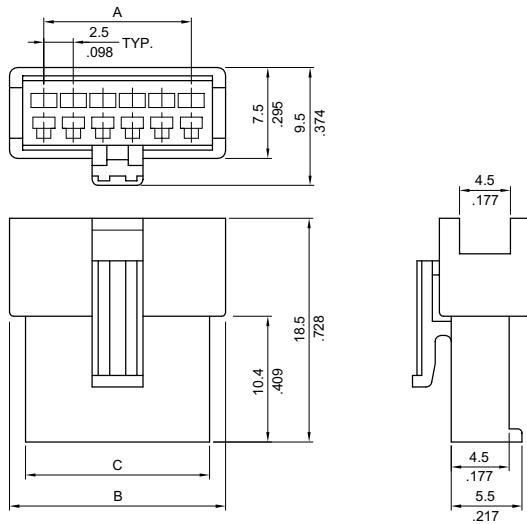


CP06 Series Plug Connectors

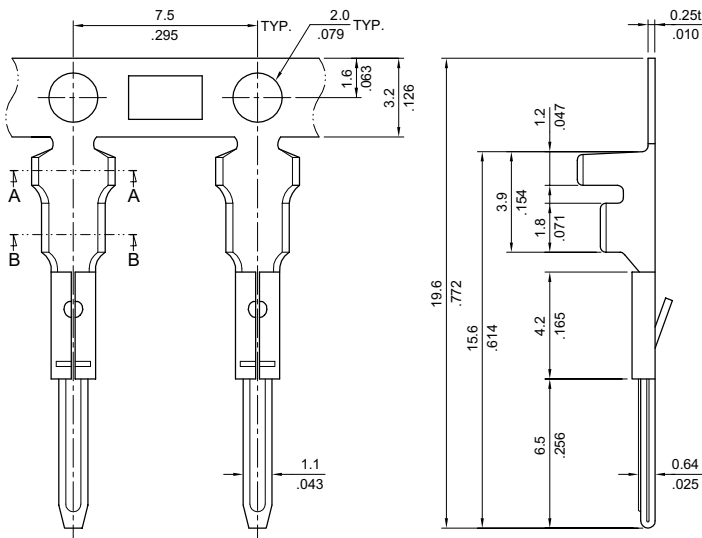
- ⊙ With locking latch
- ⊙ Available in 2 through 12 circuits
- ⊙ Can be used CP06 Crimp terminal
- ⊙ Nylon 66 UL 94V-2, Color Black
- ⊙ Terminal accommodated AWG #22 ~ #28



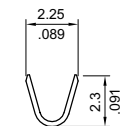
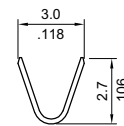
:E159616



Circuits	Dimension		
	A	B	C
2	2.5(.098)	8.0(.315)	5.5(.216)
3	5.0(.197)	10.5(.413)	8.0(.315)
4	7.5(.295)	13.0(.512)	10.5(.413)
5	10.0(.394)	15.5(.610)	13.0(.512)
6	12.5(.492)	18.0(.709)	15.5(.610)
7	15.0(.591)	20.5(.807)	18.0(.709)
8	17.5(.689)	23.0(.906)	20.5(.807)
9	20.0(.787)	25.5(1.004)	23.0(.905)
10	22.5(.886)	28.0(1.102)	25.5(1.004)
11	25.0(.984)	30.5(1.201)	28.0(1.102)
12	27.5(1.083)	33.0(1.299)	30.5(1.201)



Part No.	Wire Range	Insulation Diameter	Reel/QTY
CP06T021BEP	AWG #22-#28	1.8 (.071) MAX.	10,000 PCS



Ordering Code

**1** CP06 **2** 12 **3** P **4** 001 **5** 0

**1** CP06 **2** T02 **3** 1 **4** B **5** E **6** P

- ① Series No.
- ② Connector: 02 to 12
- ③ Contact type: P=Plug
- ④ Color: 001= Color Black
- ⑤ Other options:  
0= Standard  
\*Special option consult manufacturer

- ① Series No.
- ② Accept wire gage:  
T02 for AWG #22 ~ #28
- ③ Plating code:  
1= Tin-lead over Nickel

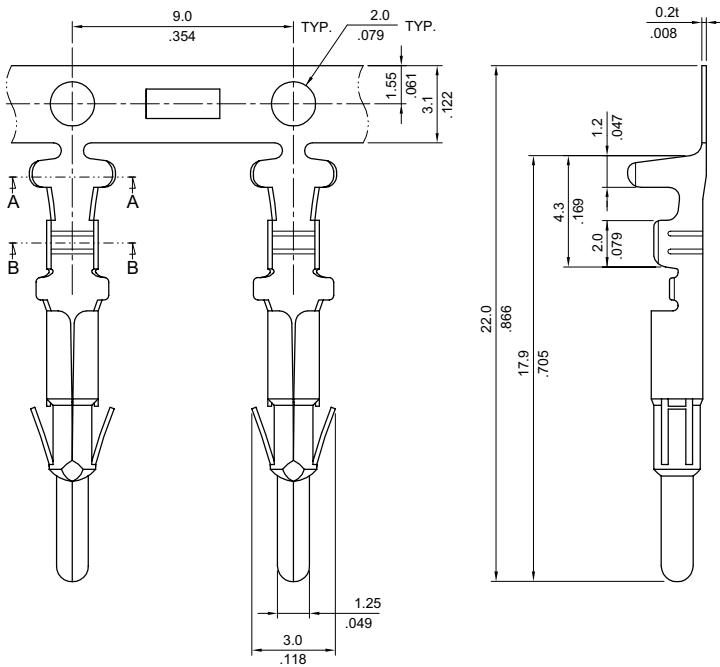
- ④ Material:  
B= Brass
- ⑤ Plating method: E= Pre-tinned
- ⑥ Style: P = Plug terminal

**CP11 Series Power Connectors**

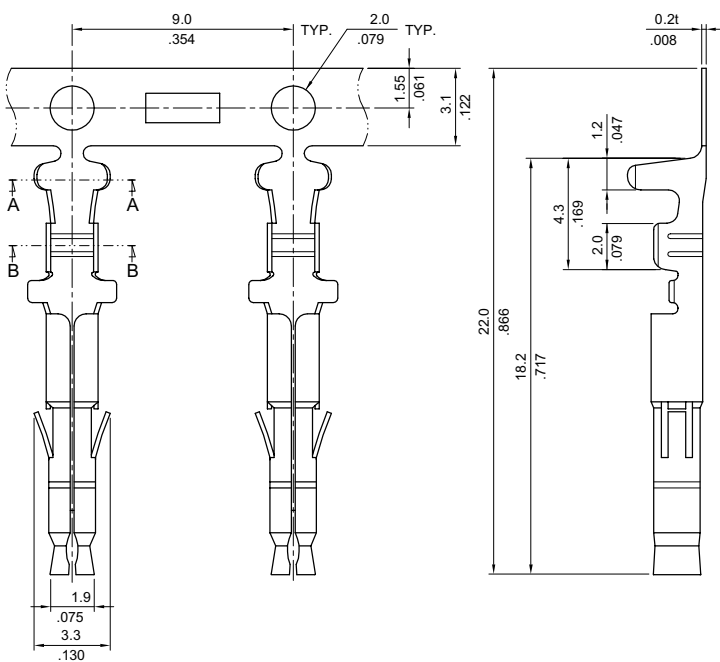
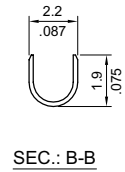
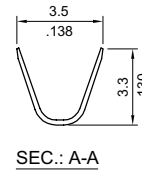
- ⊙ With locking latch
- ⊙ Available in 2 through 12 circuits
- ⊙ Can be used CP11 Crimp terminal
- ⊙ Nylon 66 UL 94V-0, Color Nature
- ⊙ Terminal: Tin-lead plated Brass
- ⊙ Terminal accommodated AWG #20 ~ #26



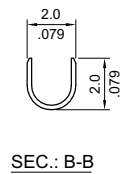
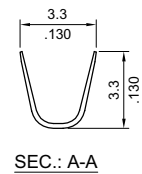
:E159616



Part No.	Wire Range	Insulation Diameter	Reel Qty
CP11T021BEP	AWG #20-#26	2.7 (.106) MAX.	8,000 PCS



Part No.	Wire Range	Insulation Diameter	Reel Qty
CP11T021BES	AWG #20-#26	2.7 (.106) MAX.	8,000 PCS



CP11 Series Power Connectors

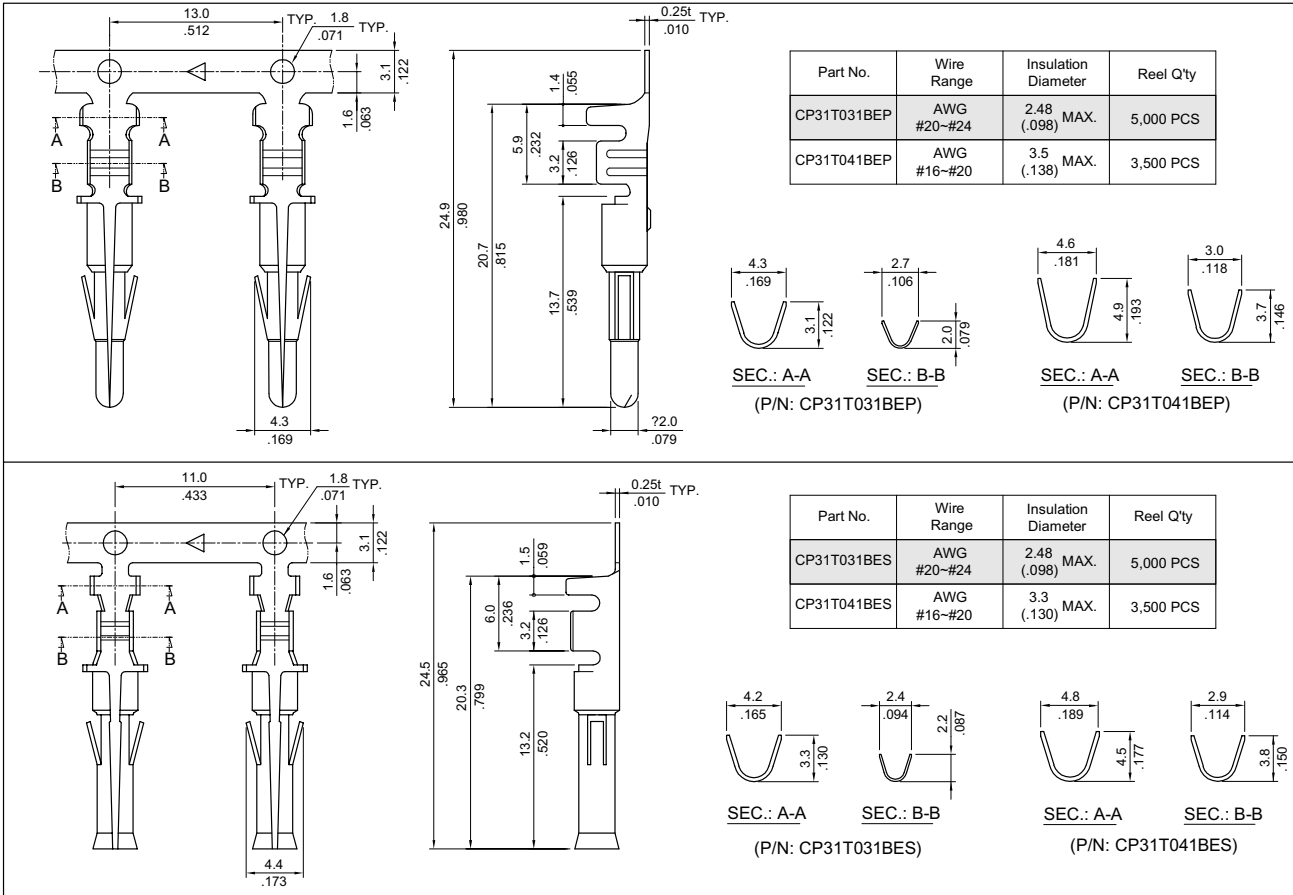
Plug		Receptacle	
P/N	CP1102P0000	P/N	CP1102S0000
P/N	CP1103P0000	P/N	CP1103S0000
P/N	CP1104P0000	P/N	CP1104S0000
P/N	CP1104P000A	P/N	CP1104S000A
P/N	CP1106P0000	P/N	CP1106S0000
P/N	CP1109P0000	P/N	CP1109S0000
P/N	CP1112P0000	P/N	CP1112S0000

CP

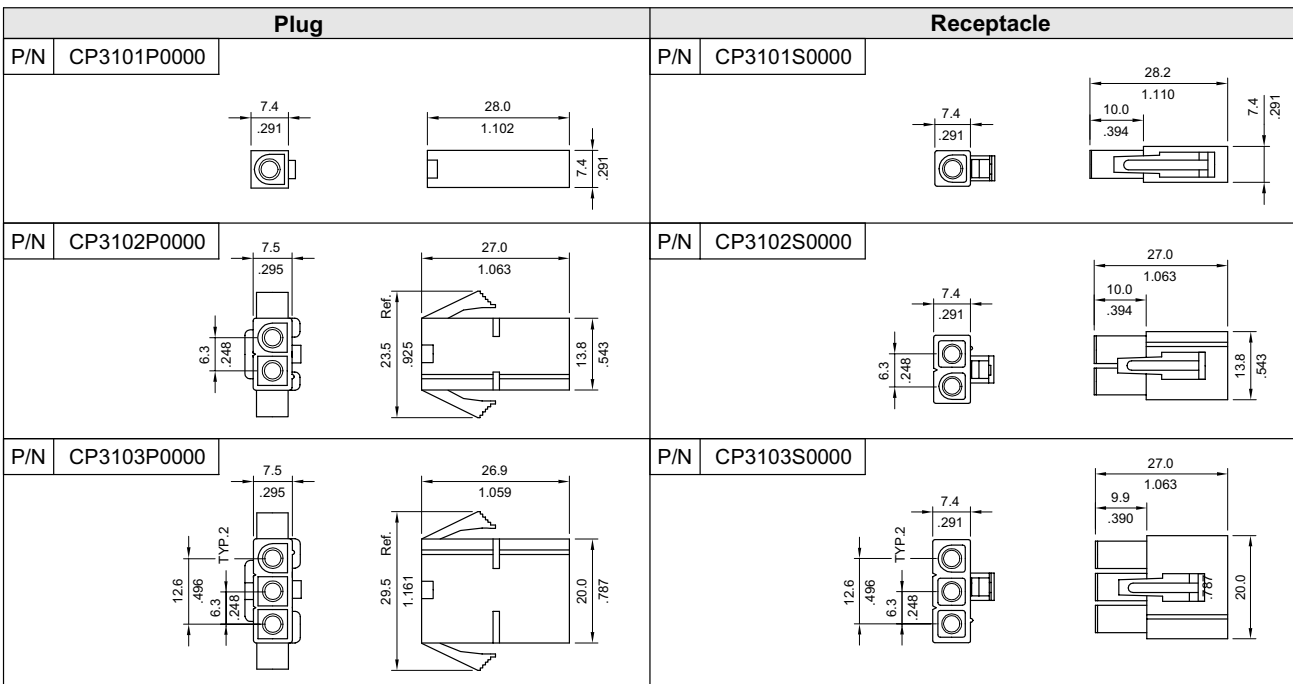
**CP31 Series Wire to Wire Power Connectors**

- ⦿ With locking latch
- ⦿ Available in 1 through 15 circuits
- ⦿ Can be used CP31 Crimp terminal
- ⦿ Nylon 66 UL 94V-2, Color Nature
- ⦿ Terminal: Tin-lead plated Brass
- ⦿ Terminal accommodated AWG #16 ~ #24

:E159616



**CP**



CP31 Series Wire to Wire Power Connector

Plug		Receptacle	
P/N	CP3104P0000	P/N	CP3104S0000
P/N	CP3106P0000	P/N	CP3106S0000
P/N	CP3109P0000	P/N	CP3109S0000
P/N	CP3112P0000	P/N	CP3112S0000
P/N	CP3115P0000	P/N	CP3115S0000

CP

**CP32 Series Power Connectors**

- ⊙ Power connector for Disk Drive
- ⊙ Can be used CP32 Crimp terminal
- ⊙ Nylon 66 UL 94V-2, Color Nature
- ⊙ Terminal: Tin-lead plated Brass
- ⊙ Terminal accommodated AWG #18 ~ #24

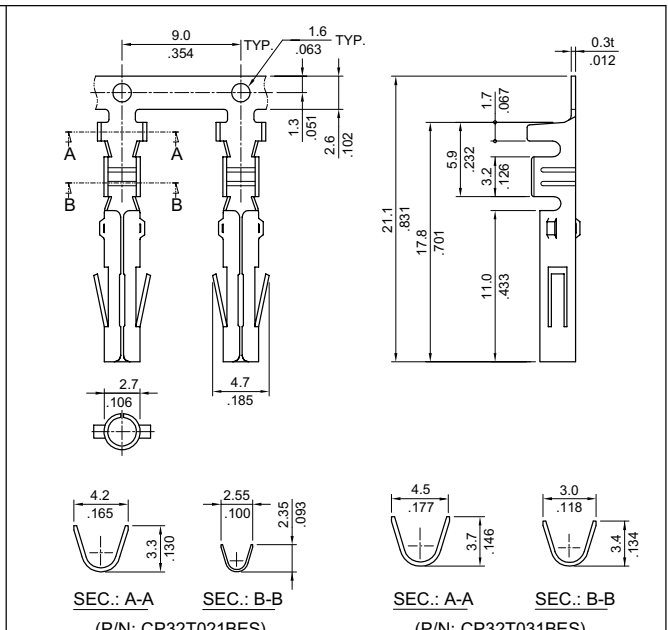
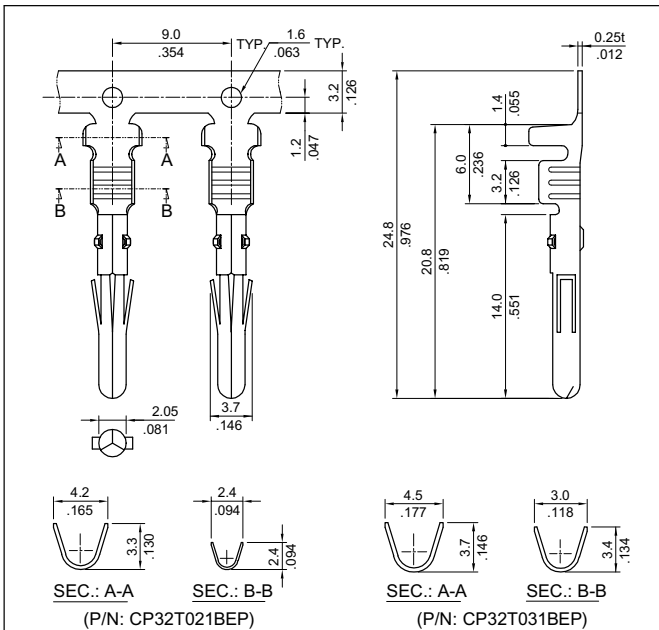
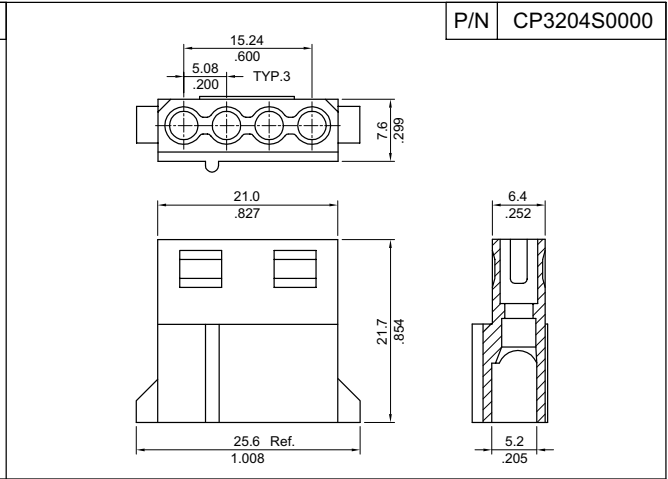
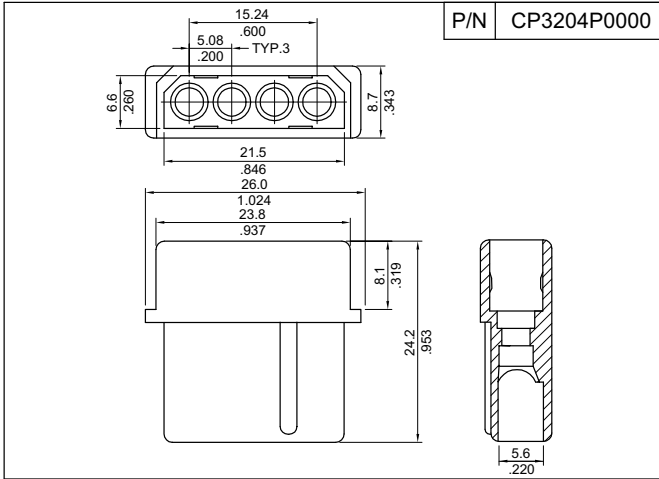


:E159616

**Ordering code**

**① CP 3 2    ② 0 4    ③ S    ④ 0    ⑤ 0 0 0**

- ① Series No.**
- ② Contacts: 04**
- ③ Contact type:**  
P= Plug  
S= Receptacle
- ④ Color:**  
0= Color Nature
- ⑤ Other options:**  
000= Standard  
\*Special option Consult manufacturer



Part No.	Wire Range	Insulation Diameter	Reel Q'ty
CP32T021BEP	AWG #20~#22	2.4 (.094) MAX.	6,000 PCS
CP32T031BEP	AWG #16~#18	2.8 (.110) MAX.	6,000 PCS

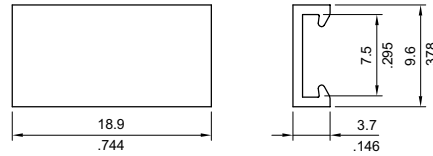
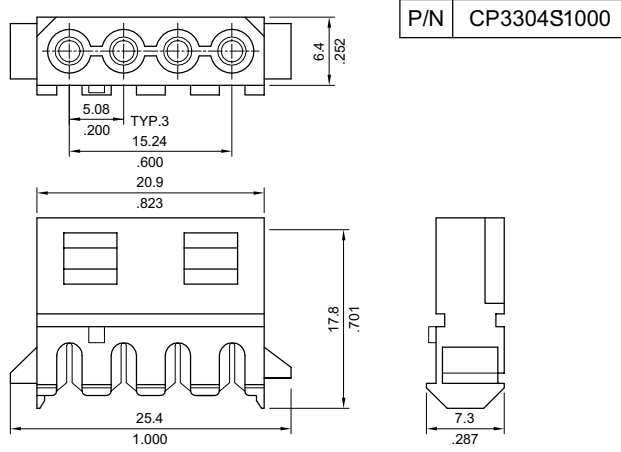
Part No.	Wire Range	Insulation Diameter	Reel Q'ty
CP32T021BES	AWG #20~#22	2.4 (.094) MAX.	6,000 PCS
CP32T031BES	AWG #16~#18	2.8 (.110) MAX.	6,000 PCS

## CP33 Series IDC Power Connectors

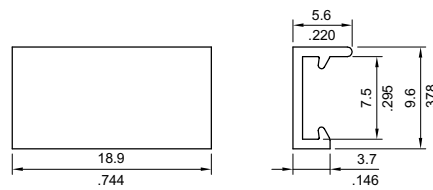
- ⦿ Insulation displacement termination
- ⦿ Option closed end or daisy chain cover
- ⦿ Mates with CP32 or CP33 plug connector
- ⦿ Accept AWG #18 wire
- ⦿ Nylon 66 UL 94V-2, Color Nature
- ⦿ Contact Tin-lead plated Phosphor Bronze



:E159616



Cover P/N: CP33S00C201



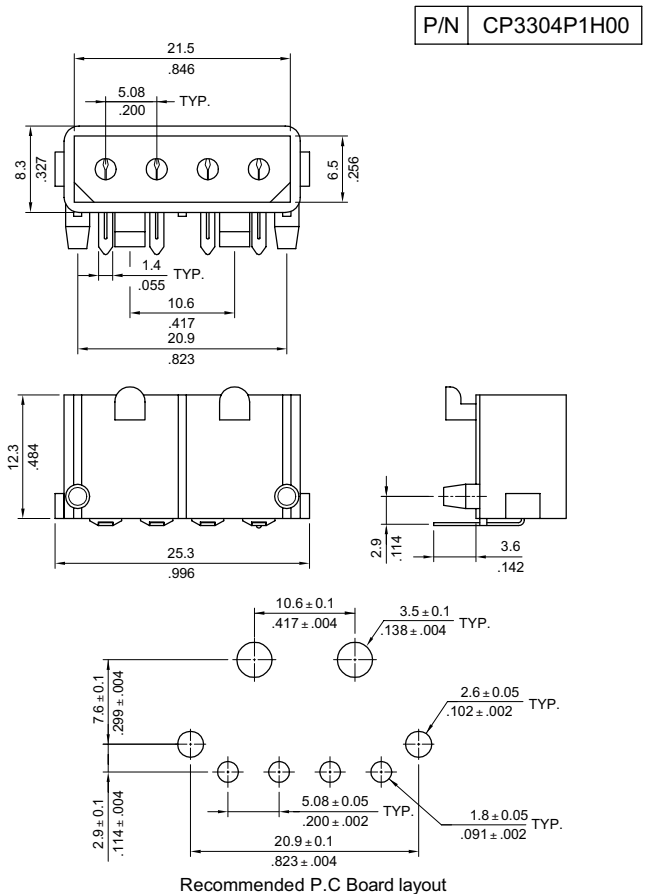
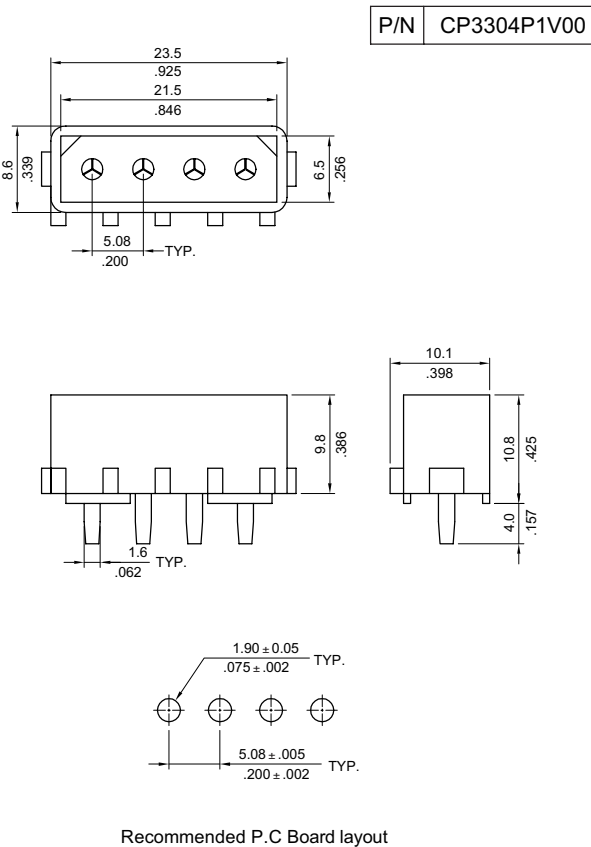
Cover P/N: CP33S00C202

## CP33 Series Board Mount Power Connectors

- ⦿ Option with mounting pegs
- ⦿ Mates CP33 or CP33 Receptacle connector
- ⦿ Nylon 66 UL 94V-2, Color Nature
- ⦿ Contact Tin-lead plated Phosphor Bronze



:E159616

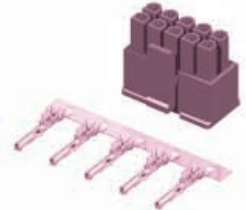


CP

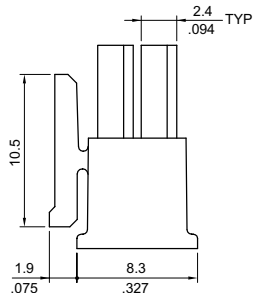
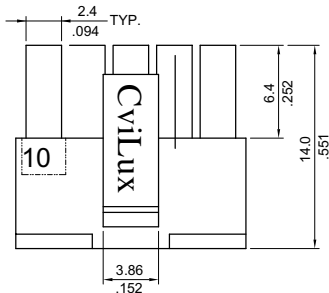
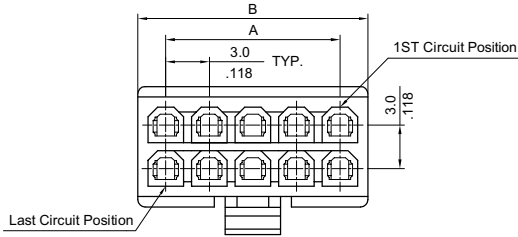


**CP35 Series Receptacle Connectors**

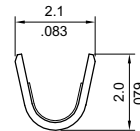
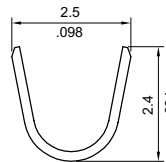
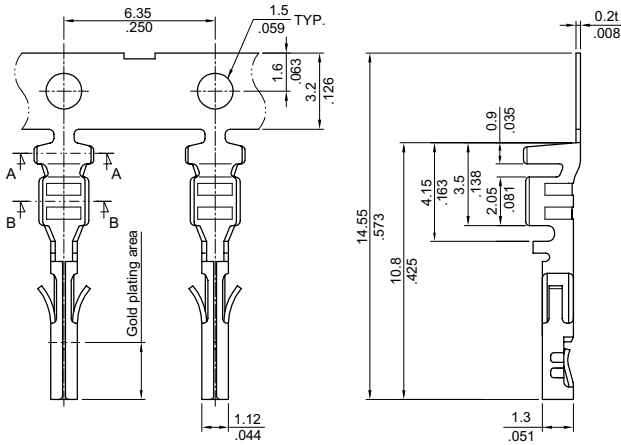
- With locking latch
- Available in 2 through 24 circuits
- Can be used CP35 Crimp terminal
- Thermal Plastics UL 94V-0, Color Black
- Terminal accommodated AWG #20 ~ #24



:E159616



Circuits	Dimension	
	A	B
2	—	3.9(.154)
4	3.0(.118)	6.9(.272)
6	6.0(.236)	9.9(.390)
8	9.0(.354)	12.9(.508)
10	12.0(.472)	15.9(.626)
12	15.0(.591)	18.9(.744)
14	18.0(.709)	21.9(.862)
16	21.0(.827)	24.9(.980)
18	24.0(.945)	27.9(1.098)
20	27.0(1.063)	30.9(1.217)
22	30.0(1.181)	33.9(1.335)
24	33.0(1.299)	36.9(1.453)



Part No.	Wire Gauge	Insulation Diameter	Finish	Reel QTY
CP35TN21PES	AWG #20-#24	2.50 (.098) MAX.	Tin-lead over Nickel	12,000 PCS
CP35TN2APES	AWG #20-#24	2.50 (.098) MAX.	Selective Gold flash over Nickel	12,000 PCS
CP35TN2BPES	AWG #20-#24	2.50 (.098) MAX.	Selective 15µin Gold plated over Nickel	12,000 PCS
CP35TN2CPES	AWG #20-#24	2.50 (.098) MAX.	Selective 30µin Gold plated over Nickel	12,000 PCS

**Ordering Code**

**1** CP35 **2** 24 **3** S **4** 001 **5** 0

- 1 Series No.
- 2 Connector: 02 to 24
- 3 Contact type: S=Receptacle
- 4 Color: 001= Color Black
- 5 Other options:  
0= Standard  
\*Special option consult manufacturer

**1** CP35 **2** TN2 **3** 1 **4** P **5** E **6** S

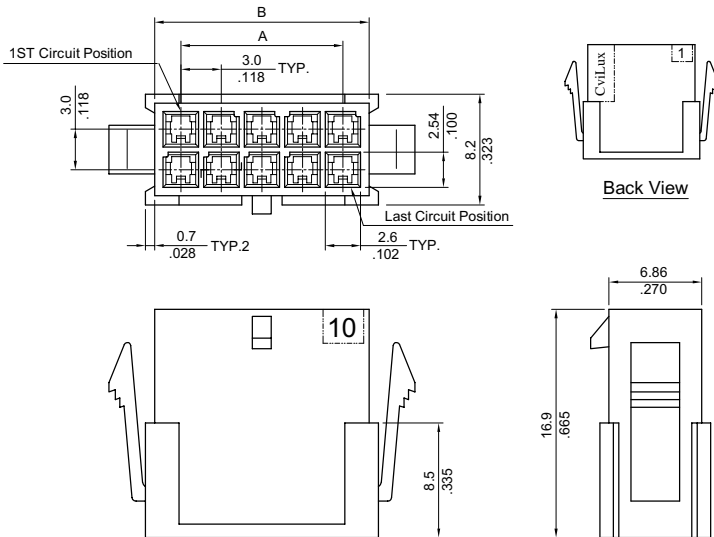
- 1 Series No.
- 2 Accept wire gage:  
TN2 for AWG #20 ~ #24
- 3 Plating code:  
1= Tin-lead over Nickel  
A= Selective 1.2 µin Gold plated over Nickel  
B= Selective 15 µin Gold plated over Nickel
- C= Selective 30 µin Gold plated over Nickel
- 4 Material:  
P= Phosphor Bronze
- 5 Plating method: E= Pre-tinned
- 6 Style: S = Receptacle terminal

## CP35 Series Plug Connectors

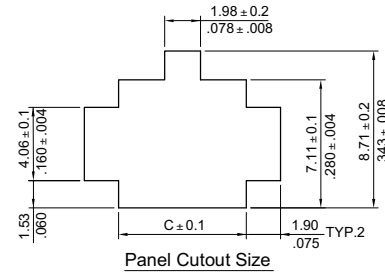
- ⊙ With mounting ears
- ⊙ Available in 2 through 24 circuits
- ⊙ Can be used CP35 Crimp terminal
- ⊙ Thermal Plastics 66 UL 94V-0, Color Black
- ⊙ Terminal accommodated AWG #20 ~ #24



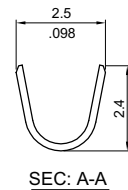
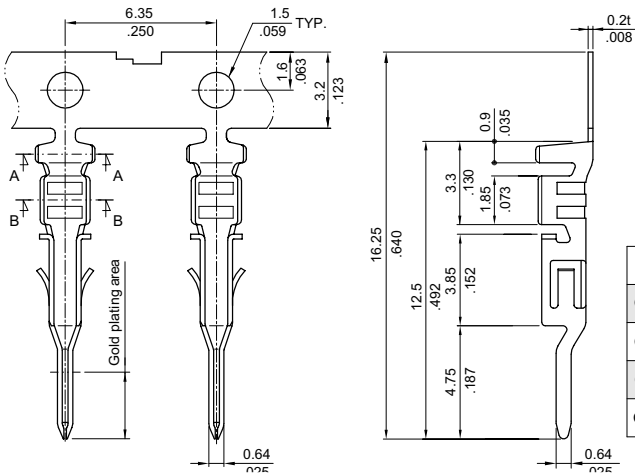
:E159616



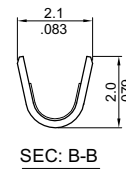
Circuits	Dimension		
	A	B	C
2	—	3.9(.154)	4.09(.161)
4	3.0(.118)	6.9(.272)	7.09(.279)
6	6.0(.236)	9.9(.390)	10.08(.397)
8	9.0(.354)	12.9(.508)	13.08(.515)
10	12.0(.472)	15.9(.626)	16.06(.633)
12	15.0(.591)	18.9(.744)	19.08(.751)
14	18.0(.709)	21.9(.862)	22.07(.869)
16	21.0(.827)	24.9(.980)	25.07(.967)
18	24.0(.945)	27.9(1.098)	26.07(1.105)
20	27.0(1.063)	30.9(1.217)	31.06(1.223)
22	30.0(1.181)	33.9(1.335)	34.06(1.341)
24	33.0(1.299)	36.9(1.453)	37.06(1.459)



Panel Cutout Size



SEC: A-A



SEC: B-B

Part No.	Wire Gauge	Insulation Diameter	Finish	Reel Q'TY
CP35TN21PEP	AWG #20-#24	2.50 (.098) MAX.	Tin-lead over Nickel	12,000 PCS
CP35TN2APEP	AWG #20-#24	2.50 (.098) MAX.	Selective Gold flash over Nickel	12,000 PCS
CP35TN2BPEP	AWG #20-#24	2.50 (.098) MAX.	Selective 15µin Gold plated over Nickel	12,000 PCS
CP35TN2CPEP	AWG #20-#24	2.50 (.098) MAX.	Selective 30µin Gold plated over Nickel	12,000 PCS

### Ordering Code

① CP35 ② 24 ③ P ④ 001 ⑤ 0

- ① Series No.
- ② Connector: 02 to 24
- ③ Contact type: P=Plug
- ④ Color: 001= Color Black
- ⑤ Other options:  
0= Standard  
\*Special option consult manufacturer

① CP35 ② TN2 ③ 1 ④ P ⑤ E ⑥ P

- ① Series No.
- ② Accept wire gage:  
TN2 for AWG #20 ~ #24
- ③ Plating code:  
1= Tin-lead over Nickel  
A= Selective 1.2 µin Gold plated over Nickel  
B= Selective 15 µin Gold plated over Nickel
- C= Selective 30 µin Gold plated over Nickel
- ④ Material:  
P= Phosphor Bronze
- ⑤ Plating method: E= Pre-tinned
- ⑥ Style: P = Plug terminal