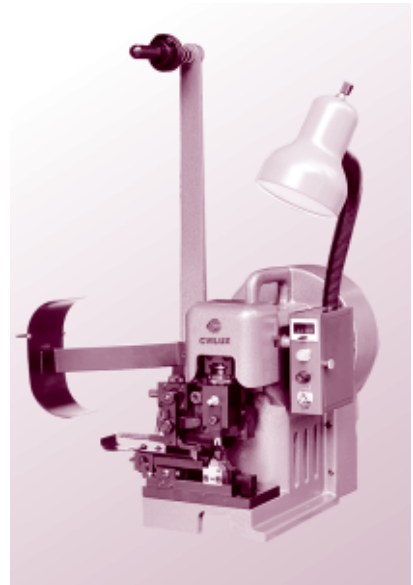
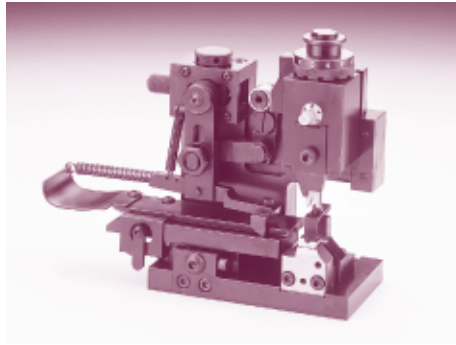


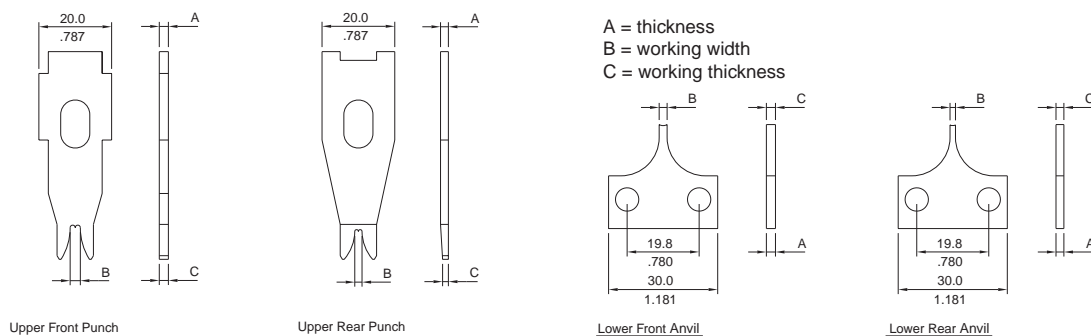
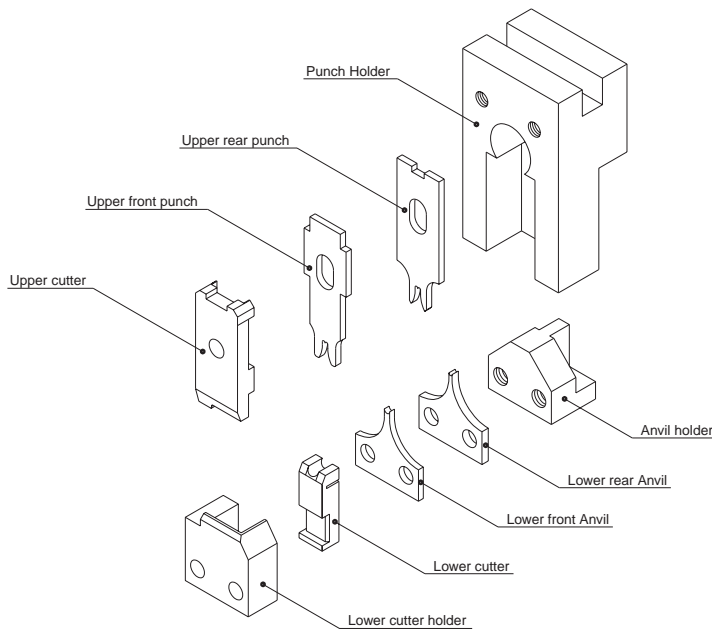
CM010860 Desk Top Crimping Machine

- ⊙ Compact and light weight, with low cost applicator.
- ⊙ Simple operation requires little or no operator training.
- ⊙ Easy fits on bench top. Self contained lamp to illuminate working area.
- ⊙ Adapts to a wide variety of contacts (side feed or end feed)
- ⊙ Weight: 45 kgs



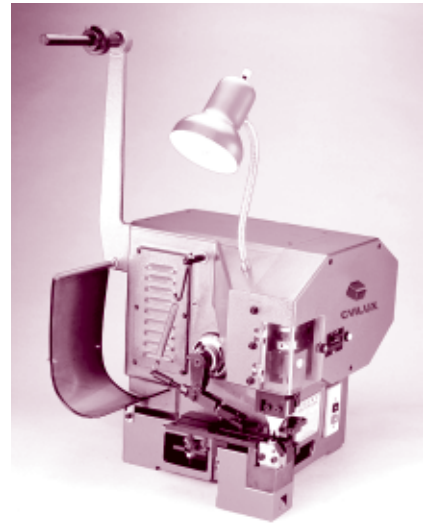
MODEL NO.: CM010860

Punches & Anvils for CMA01 Applicator



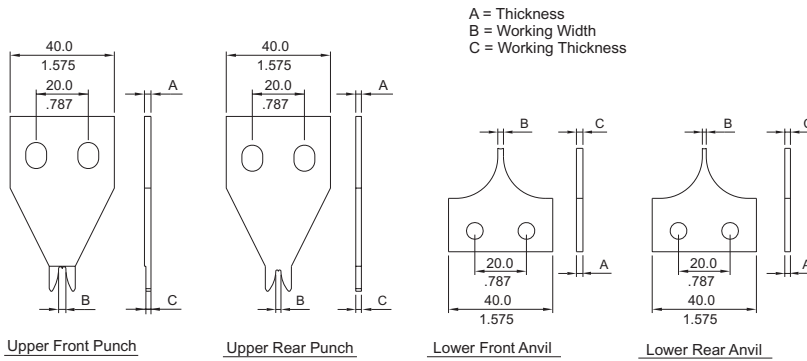
CM021500 Desk Top Crimping Machine

- ⊙ Preferable used for heavy duty termination
- ⊙ One time performance using double way crimping in process.
- ⊙ Easy to operate and high productivity.
- ⊙ Designed simply maintenance and inspection.
- ⊙ Excellent crimping performance and high durability.
- ⊙ Weight: 120 kgs



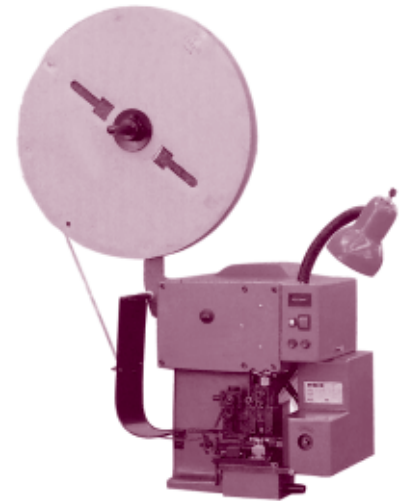
MODEL NO.: CM021500

Punches & Anvils Applicator



CM042000 Desk Top Crimping Machine

- ⊙ The machine is adopt CPU circuit board designed.
- ⊙ High precision with employing electromagnetic brake.
- ⊙ Cassette Applicator designed and handy to exchange.
- ⊙ Low noise and easy to operation.
- ⊙ Adepts to a wide variety of terminal.
- ⊙ Weight: 125 kgs



MODEL NO.: CM042000

Machine and Applicator Ordering Code

1 **2** **3**
CM010860 **22** **5**

- 1** Series No.: CM010860
CM021500
CM042000
- 2** Voltage:
10= 100V; 11= 110V; 22=220V;
23= 230V; 24= 240V
- 3** Cycle:
5= 50Hz; 6= 60Hz

1 **2** **3** **4**
A01 **CD02** **T02** **S**

- 1** Applicator No.: A01 = Apply CM01 crimping machine
A02 = Apply CM02 crimping machine
A04 = Apply CM04 crimping machine
- 2** Terminal Part No.:
- 3** Terminal version: T01 = For AWG #28 ~ #30
T02 = For AWG #22 ~ #28
T03 = For AWG #18 ~ #22
T04 = For AWG #14 ~ #18
- 4** Terminal type: 0 = General
P = Plug Terminal
S = Receptacle Terminal

CM01860 Applicator Cross - Reference

No.	CvLux P/N	Wire Range	Applicator	Upper Rear Punch	Upper Front Punch	Lower Rear Anvil	Lower Front Anvil
1	CD02T01ABPP	#26-#30	A01C D02T01P	URP01301110	UFP01201300	LRP01311100	LFP01211310
2	CD02T01APPS	#26-#30	A01C D02T01S	URP01251110	UFP01201300	LRP01261100	LFP01211310
3	CD52T02ABPP	#22-#24	A01C D52T02P	URP01201510	UFP01151800	LRP01211500	LFP01161810
4	CD52T02APPS	#22-#24	A01C D52T02S	URP01201510	UFP01151800	LRP01211500	LFP01161810
5	CI01T011PE0	#24-#30	A01C I01T010	URP01151300	UFP01151500	LRP01161300	LFP01161500
6	CI02T011PE0	#24-#30	A01C I02T010	URP01131300	UFP01201500	LRP01141300	LFP01211500
7	CI02T011PEH	#24-#28	A01C I02T01H	URP01101330	UFP01111500	LRP01181300	LFP01161500
8	CI03T012BP0	#26-#30	A01C I03T010	URP01101000	UFP01141200	LRP01111000	LFP01151200
9	CI21T021PE0	#24-#28	A01C I21T020	URP01131500	UFP01151800	LRP01141500	LFP01161810
10	CI22T021BE0	#22-#28	A01C I22T020	URP01151500	UFP01181800	LRP01161500	LFP01191810
11	CI23T021BE0	#22-#28	A01C I23T020	URP01131300	UFP01151500	LRP01141300	LFP01161510
12	CI26T021PE0	#22-#28	A01C I25T020	URP01151500	UFP01201800	LRP01161500	LFP01211800
13	CI26T021PE0	#22-#28	A01C I26T020	URP01151500	UFP01181800	LRP01161500	LFP01191810
14	CI31T021BE0	#22-#28	A01C I31T020	URP01221500	UFP01251800	LRP01231500	LFP01261800
15	CI32T021BE0	#22-#28	A01C I32T020	URP01251400	UFP01251530	LRP01261400	LFP01261500
16	CI33T021PE0	#24-#28	A01C I33T020	URP01201500	UFP01251800	LRP01211500	LFP01261800
17	CI35T021BE0	#22-#28	A01C I35T020	URP01251500	UFP01251800	LRP01261500	LFP01261800
18	CI51T031BE0	#18-#24	A01C I51T030	URP01252000	UFP01302830	LRP01262000	LFP01312800
19	CI52T031BE0	#18-#22	A01C I52T030	URP01231800	UFP01202800	LRP01241800	LFP01212800
20	CI52T041BE0	#16	A01C I52T040	URP01201800	UFP01232800	LRP01211800	LFP01242810
21	CI61T031BE0	#18-#22	A01C I61T030	URP01301500	UFP01282800	LRP01311500	LFP01292800
22	CI62T03NBE0	#18-#22	A01C I62T030	URP01301500	UFP01252800	LRP01311500	LFP01262810
23	CP-01100102	#18-#22	A01C P01T03S	URP01201500	UFP01232800	LRP01211500	LFP01242810
24	CP-01100105	#16	A01C P01T04S	URP01201600	UFP01232800	LRP01211600	LFP01242810
25	CP-01200102	#18-#22	A01C P01T03P	URP01201500	UFP01252800	LRP01211500	LFP01262800
26	CP02T031BEP	#18-#26	A01C P02T03P	URP01201500	UFP01282500	LRP01211500	LFP01292500
27	CP02T031BES	#18-#22	A01C P02T03S	URP01201500	UFP01282500	LRP01211500	LFP01292500
28	CP06T021BEP	#22-#28	A01C P06T02P	URP01191500	UFP01201800	LRP01201500	LFP01211800
29	CP11T021BES	#22-#28	A01C P06T02S	URP01181300	UFP01251800	LRP01191300	LFP01261800
30	CP11T021BEP	#20-#26	A01C P11T02P	URP01201500	UFP01232000	LRP01211500	LFP01242000
31	CP11T021BES	#20-#26	A01C P11T02S	URP01201500	UFP01232000	LRP01211500	LFP01242000
32	CP31T041BEP	#16-#20	A02C P31T04P	URP02302300	UFP02403230	LRP02312300	LFP02293220
33	CP31T041BES	#16-#20	A02C P31T04S	URP02302300	UFP02403230	LRP02312300	LFP02293220
34	CP32T021BE*	#22-#24	A01C P32T020	URP01302000	UFP01302800	LRP01312000	LFP01312800
35	CP32T031BE*	#18-#20	A01C P32T030	URP01302000	UFP01302800	LRP01312000	LFP01312800
36	CP35TN21BEP	#20-#24	A01C P35TN2P	URP01181400	UFP01152000	LRP01191400	LFP01292810
37	CP35TN21BES	#20-#24	A01C P35TN2S	URP01181400	UFP01152000	LRP01191400	LFP01292810
38	CT02T021PE0	#24-#28	A01C T02T020	URP01401000	UFP01301510	LRP01411510	LFP01311500
39	CT03T031PE0	#18-#24	A01C T03T030	URP01401500	UFP01282810	LRP01411510	LFP01292810
40	CT05T031**0	#18-#24	A01C T05T030	URP01251500	UFP01252500	LRP01261500	LFP01262500
41	CT07T021PE0	#22-#28	A01C T07T020	URP01181500	UFP01251800	LRP01191500	LFP01261810
42	CT08T031PE0	#18-#22	A01C T08T030	URP01331500	UFP01302500	LRP01341500	LFP01312510
43	CU01T02PBP0	#26-#28	A01C U01T020	URP01301310	UFP01251300	LRP01311300	LFP01261300
44	CU01T03PBP0	#20-#24	A01C U01T030	URP01301510	UFP01251800	LRP01311500	LFP01261800

AWG	Diameter		Area			Crimping strength min.	
	in.	mm	circular mils	in ²	mm ²	lb	kg
10 (1)	.1019	2.590	10384	.00816	5.270	80	36.4
10 (37/26)	.1113	2.830	9361	.00736	4.750	80	36.4
12 (1)	.0808	2.050	6528	.00513	3.310	70	31.9
12 (19/25)	.0895	2.270	6088	.00479	3.090	70	31.9
12 (37/28)	.0882	2.240	5883	.00463	2.880	70	31.9
14 (1)	.0641	1.630	4109	.00323	2.080	60	27.3
14 (19/27)	.0710	1.800	3831	.00300	1.940	60	27.3
16 (1)	.0508	1.290	2581	.00203	1.310	30	13.7
16 (19/29)	.0557	1.410	2426	.00190	1.230	30	13.7
18 (1)	.0403	1.020	1620	.00128	0.823	20	9.1
18 (19/30)	.0500	1.270	1900	.00149	0.963	20	9.1
20 (1)	.0320	0.813	1020	.000804	0.519	18	8.2
20 (7/28)	.0378	0.960	1113	.000875	0.563	18	8.2
20 (19/32)	.0400	1.020	1216	.000956	0.616	18	8.2
22 (1)	.0253	0.643	640	.000503	0.324	10	4.6
22 (7/30)	.0300	0.762	700	.000550	0.355	10	4.6
22 (19/34)	.0315	0.800	754	.000593	0.382	10	4.6
24 (1)	.0201	0.511	404	.000317	0.205	6.5	3.0
24 (7/32)	.0240	0.609	448	.000352	0.227	6.5	3.0
24 (19/36)	.0250	0.635	475	.000372	0.241	6.5	3.0
26 (1)	.0159	0.404	253	.000199	0.128	4.0	1.8
26 (7/34)	.0189	0.480	278	.000218	0.141	4.0	1.8
26 (19/38)	.0200	0.510	304	.000239	0.154	4.0	1.8
28 (1)	.0126	0.320	159	.000125	0.0804	2.5	1.1
28 (7/36)	.0150	0.381	175	.000137	0.0889	2.5	1.1
28(19/40)	.0155	0.395	183	.000143	0.0925	2.5	1.1
30 (1)	.0100	0.254	100	.0000785	0.0507	1.5	0.6
30 (7/38)	.0120	0.306	112	.000882	0.0568	1.5	0.6
30 (19/42)	.0125	0.320	119	.0000933	0.0600	1.5	0.6
32 (1)	.0080	0.203	64.0	.0000503	0.0324	1.0	0.45
32 (7/40)	.0093	0.237	67.3	.0000529	0.341	1.0	0.45
32 (19/44)	.0100	0.255	76.0	.0000597	0.0386	1.0	0.45
34 (1)	.0063	0.160	39.7	.0000312	0.0201		
34 (7/42)	.0075	0.192	43.8	.0000344	0.0222		
36 (1)	.0050	0.127	25.0	.0000196	0.0127		
36 (7/44)	.0060	0.153	28.0	.0000220	0.0142		
38 (1)	.0040	0.102	16.0	.0000126	0.00811		
40 (1)	.0031	0.079	9.61	.00000755	0.00487		
42(1)	.0025	0.064	6.25	.00000491	0.00317		
44 (1)	.0020	0.051	4.00	.00000314	0.00203		