

## Introduction

The CviLux CU System includes USB, Mini USB, IEEE 1394 and DVI connectors; they can be used as a low cost, high-speed way to interconnect peripheral devices.

The USB System is a complete interconnection technology with Plug and Play capability for I/O devices, including: keyboards, mice, game ports, serial port devices, digital audio, printers, scanners, modems, joy sticks, and other telecommunication devices.

They were designed for outside-of-box, the system consists of a single 4-position boardmount receptacle and plug for over molded cable assemblies. Board mount receptacles are available in standard Type A and B, stacked Type A configurations adding to the system's versatility to meet all USB applications. They provide bi-directional, simultaneous signals for full speed 12 mbps or for low speed 1.5 mbps used in Universal Serial Bus (USB) Systems.

The IEEE 1394 series perform high-speed way for connection between peripheral devices, This product has been implemented in applications connecting video cameras to PC's and set top boxes for home entertainment systems.

The DVI connector supports both analog and digital signals with excellent EMI/RFI performance, it supports up to 4.95 Gbps over a single link and 9.9 Gbps over a dual link and provide plug and play interface.

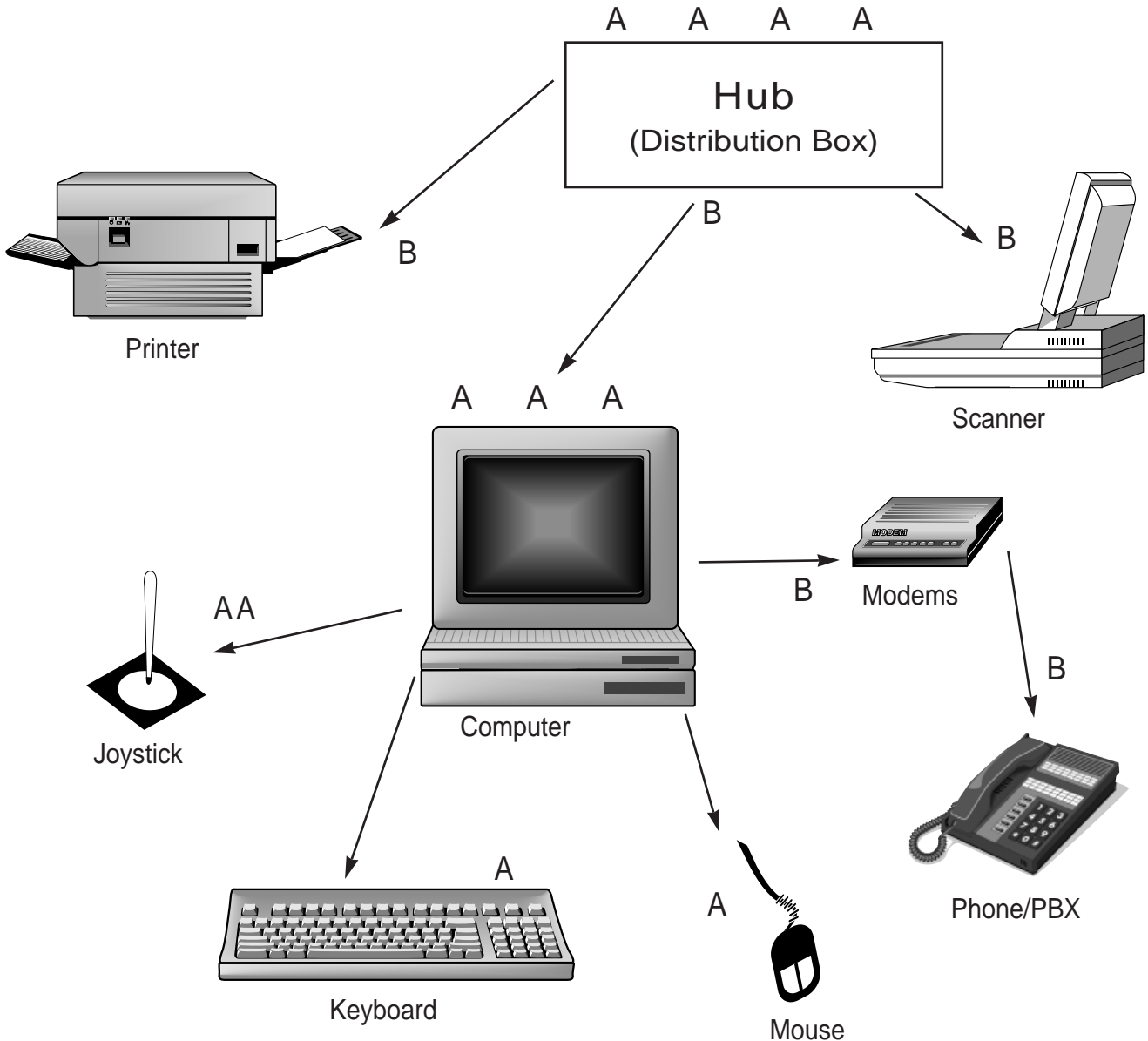
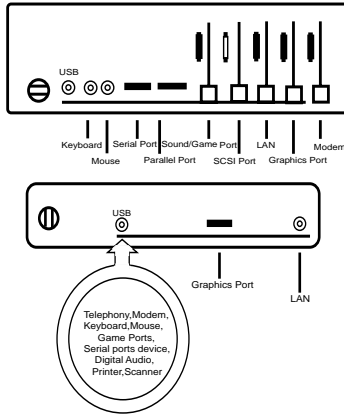
All above connector with hot plug able feature permits attaching or detaching peripherals without power down or reboot.

# Universal Serial Bus (USB) Connector

CviLux's Type A Cable assemblies: 2C/AWG #28+2C/AWG#24

Universal Serial Bus Applications			
TYPE A		TYPE B	
For applications which the external cable is permanently attached on devices		For applications that require detachable external cables	
Fully rated speed of 12Mbps, it is requires used of shielded cable		Apply for double ended connector with cable assemblies	
Lower cost and lower speed, A sub-channel at 1.5Mbps allows use of unshielded cabling		Type A and B can not be interchange	
Applications			
TYPE A		TYPE B	
Computer	Keyboard	Printer	Modems
Mouse	Hubs	Scanner	Stand alone hub

PC CONNECTIVITY VISION WITH USB



CU

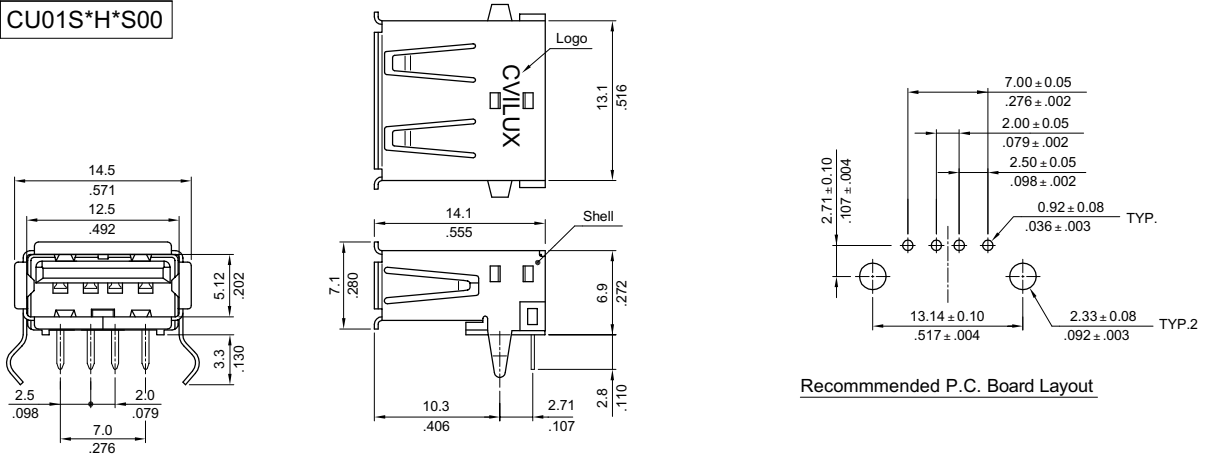
**CU01 Series USB Type-A Right Angle DIP Receptacle Connector**

- ⊙ 4 position shielded receptacle connector
- ⊙ DIP Straight angle through hole
- ⊙ 2mm centerline and 2.5mm centerline power contacts
- ⊙ High durability and long cycle life

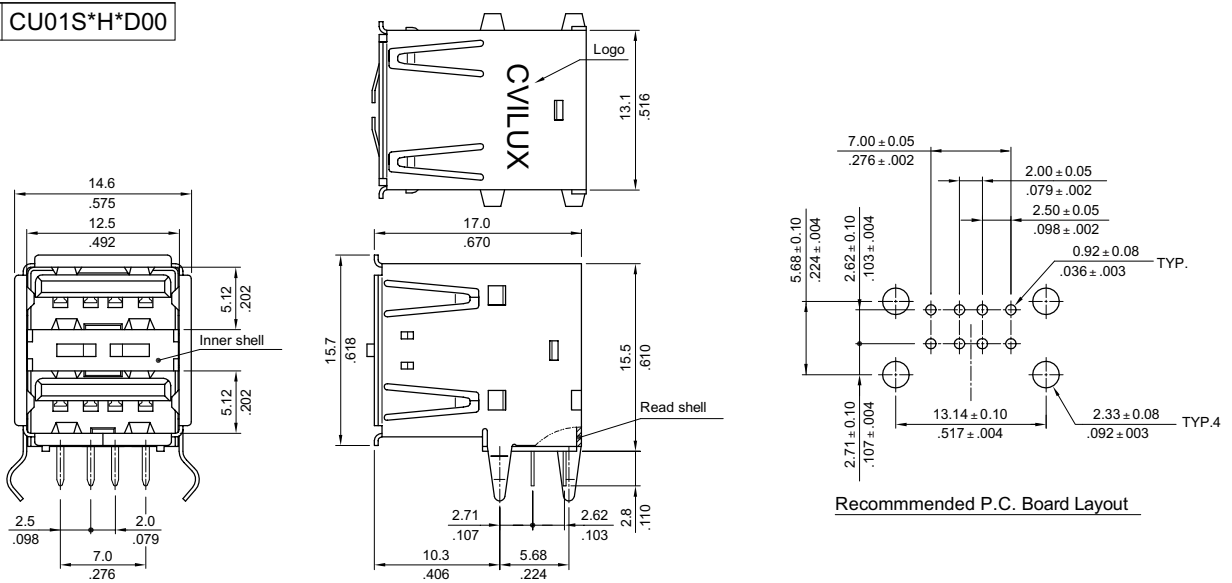


:E159616

P/N CU01S\*H\*S00



P/N CU01S\*H\*D00



**Ordering Code**

① **CU01**    ② **S**    ③ **A**    ④ **H**    ⑤ **1**    ⑥ **S**    ⑦ **00**

- |   |  |   |
|---|--|---|
| <p>① Series No.</p> <p>② S= Socket</p> <p>③ Plating code:<br/>                 A= Selective Gold flash over 50µin Nickel on contact area<br/>                 C= Selective 30µin Gold over Nickel on contact area<br/>                 P= Selective Gold flash over 28µin PI-NI on contact area</p> | <p>④ Tail style:<br/>                 H = Right angle DIP</p> <p>⑤ Insulator color:<br/>                 1= Black ; 0=White</p> <p>⑥ Type:<br/>                 S= Single port<br/>                 D= DUAL port</p> | <p>⑦ Options:<br/>                 00= Standard</p> <p>*Special option Consult manufacturer</p> |
|---|--|---|

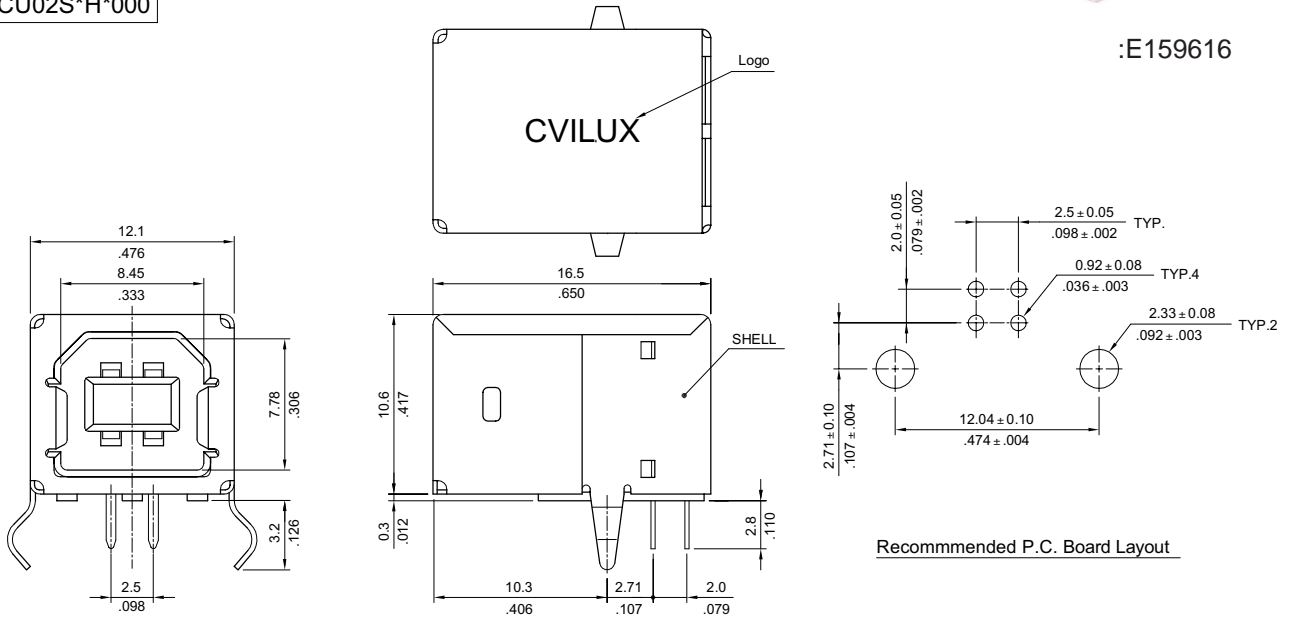
## CU02 Series USB Type-B Right Angle Receptacle Connector

- 4 position shielded receptacle connector
- DIP Straight angle through hole
- 2mm centerline and 2.5mm centerline power contacts
- High durability and long cycle life

P/N CU02S\*H\*000



:E159616



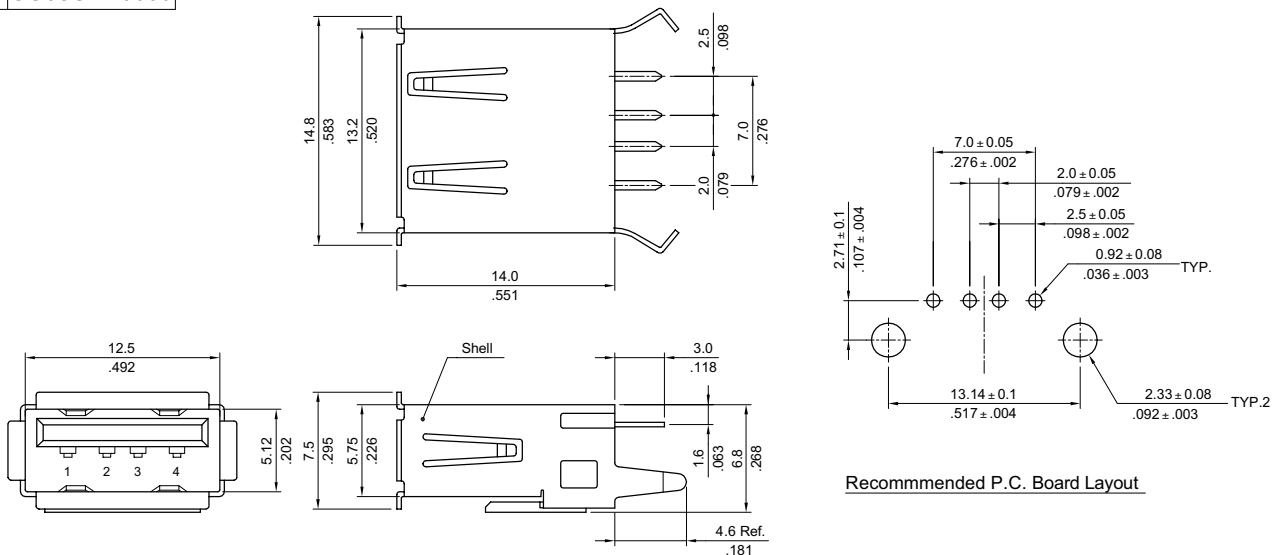
## CU03 Series USB Type-A Straight DIP Receptacle Connector

- 4 position shielded receptacle connector
- DIP Straight angle through hole
- 2mm centerline and 2.5mm centerline power contacts
- High durability and long cycle life

P/N CU03SAV0000

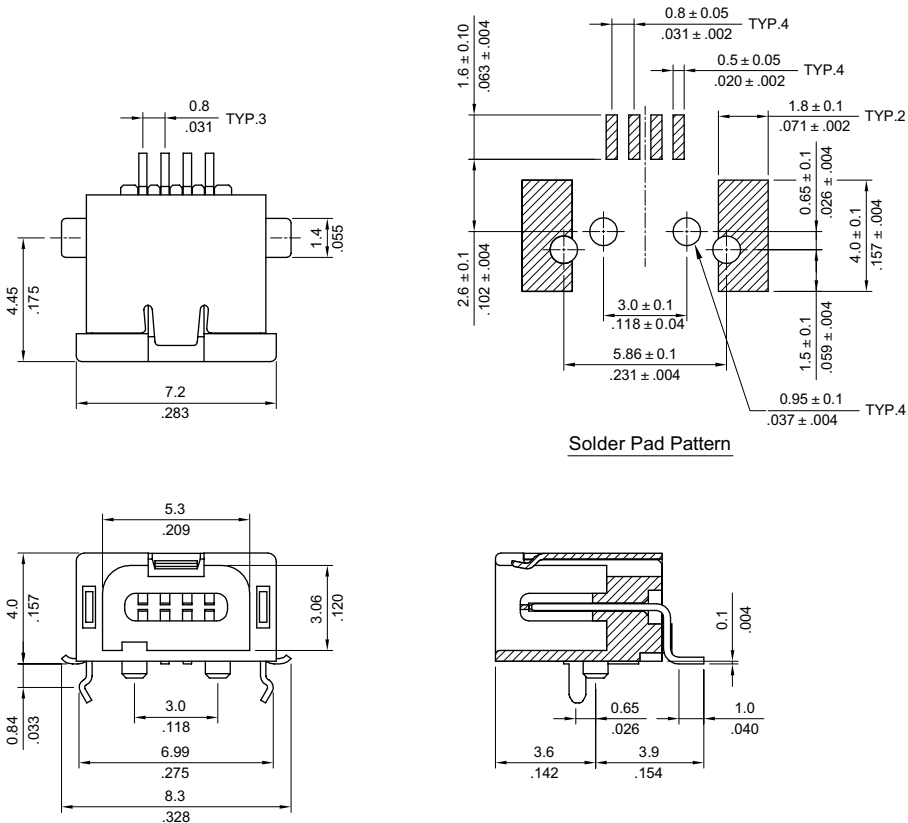


:E159616



**CU04 Series Miniature SMT Universal Serial Bus Receptacle**

- ⊙ Size 4 circuits
- ⊙ High temperature plastic for SMT process
- ⊙ Options tube or tape and reel for automated assembly
- ⊙ Side fixed tabs and ground pegs retention to board
- ⊙ Grounding fingers provide locking feature and plug retention



**Ordering Code**

1
2
3
4
5
6  
CU04
S
C
M
1
000

- 1 Series No.
- 2 S= Socket
- 3 Plating code:  
 A= Selective Gold flash plated over Nickel  
 B= Selective 15µin Gold plated over Nickel  
 C= Selective 30µin Gold plated over Nickel
- 4 Tail style: M = SMT type

- 5 Insulator color:  
 1= Black
- 6 Options:  
 000= Standard

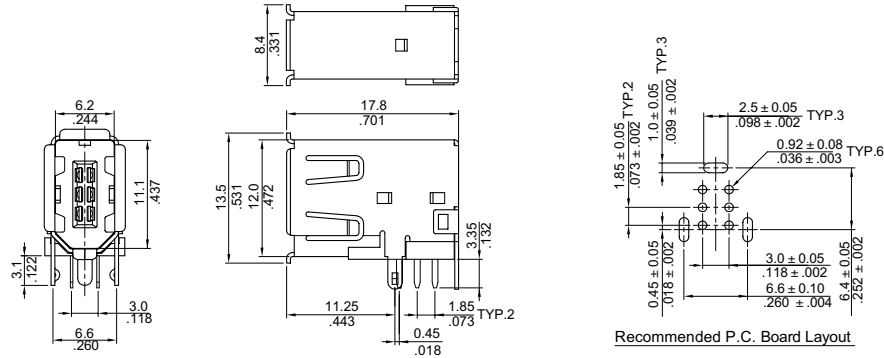
\*Special option Consult manufacturer

**CU05 Series IEEE 1394 Shielded I/O Receptacle Connector**

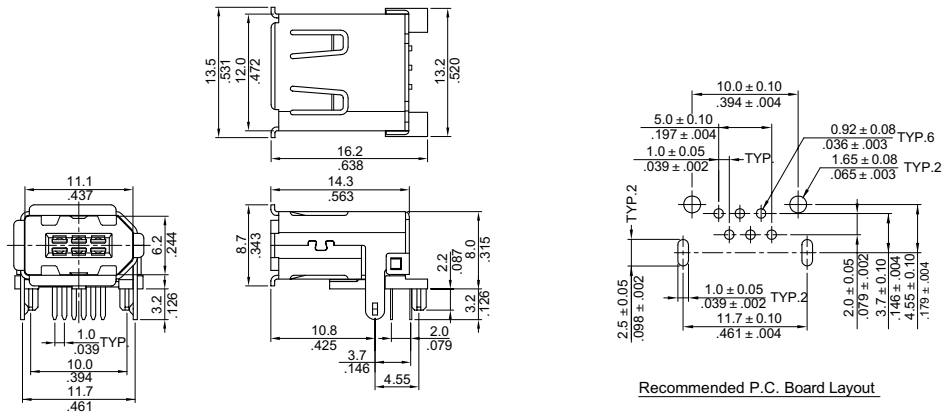
- ⊙ Available right angle and up-right right angle version
- ⊙ With ground pegs retention to board
- ⊙ Provides the interface for speeds up to 400 Mbs
- ⊙ Full metal shielding for ESD protection
- ⊙ High-temperature plastic housing for SMT processing
- ⊙ Gold-plated leaf contacts withstand up to 1500 cycles
- ⊙ Polarized box shell design and lock grounding fingers ensure plug retention



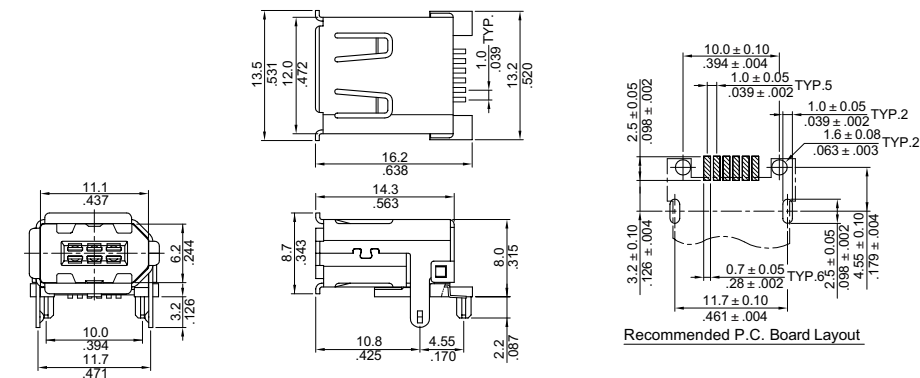
P/N CU05SCH1U00



P/N CU05SCH1F00



P/N CU05SCH1M00



**Ordering Code**

**① CU05 ② S ③ C ④ H ⑤ 1 ⑥ F ⑦ 00**

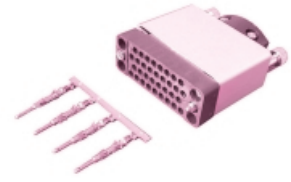
- ① Series No.
- ② S= Socket
- ③ Plating code:  
A= Selective Gold flash plated over Nickel  
B= Selective 15µin Gold plated over Nickel  
C= Selective 30µin Gold plated over Nickel
- ④ Tail style:H = Right angle

- ⑤ Insulator color: 1= Black
- ⑥ Type: F= Flat type  
U= Upright type  
M= Flat/SMT type
- ⑦ Options: 00= Standard

\*Special option Consult manufacturer

**CU06 Series V.35 Crimp Clip Plug Connector**

- Metal shell and strain relief
- With locking screw
- Options terminal plating available
- Accommodated AWG #24~#26 wire



**Ordering Code**

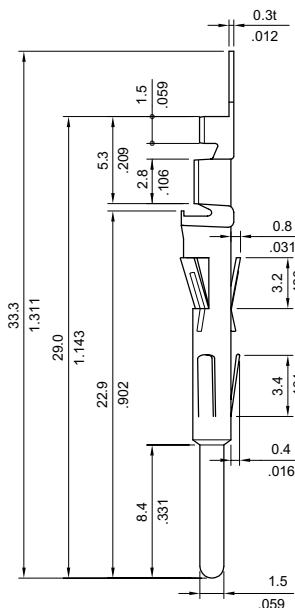
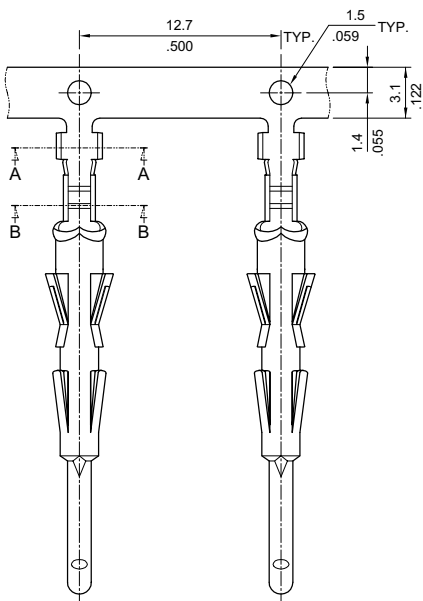
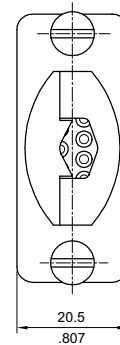
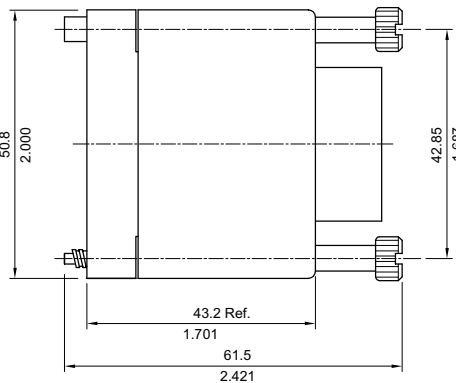
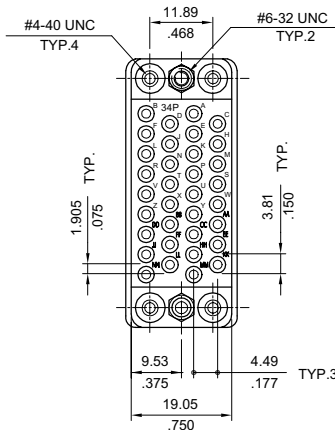
① ② ③ ④  
**CU06 34 P 0010**

- ① Series No.
- ② No. of Circuits: 34
- ③ P= Plug Housing
- ④ Other options:  
 0010= Standard (Color Black)  
 \*Special option Consult manufacturer

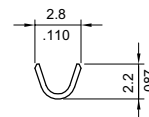
① ② ③ ④ ⑤ ⑥  
**CU06 T02 2 B P P**

- ① Series No.
- ② Type : T02 = AWG #24~#26
- ③ Plating code:  
 2= Gold flash plated over Nickel  
 3= 15µin Gold plated over Nickel  
 4= 30µin Gold plated over Nickel
- ④ Material: B= Brass
- ⑤ Plating method: P= Post Plating
- ⑥ Other options: P= Plug Terminal

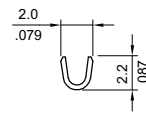
P/N CU0634P0010



Part No.	Wire Range	Insulation Diameter	Reel Q'ty
CU06T02*BPP	AWG #24~#26	1.50 (.059) MAX.	2,500 PCS



SEC.: A-A



SEC.: B-B

# CU06 Series V.35 Crimp Clip Receptacle Connector

- Metal shell and strain relief
- With locking screw
- Options terminal plating available
- Accommodated AWG #24-#26 wire



## Ordering Code

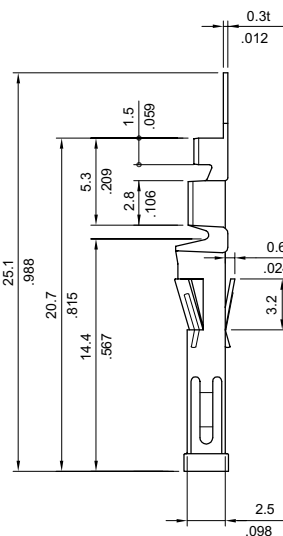
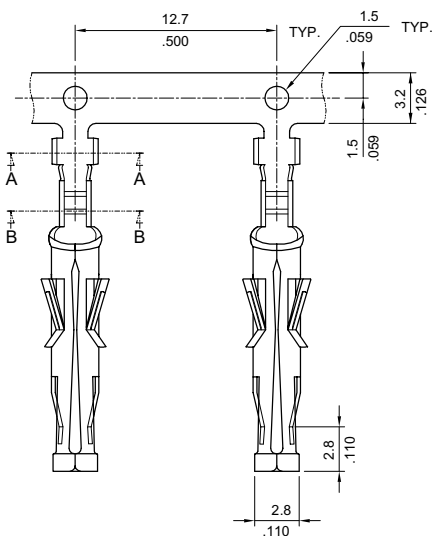
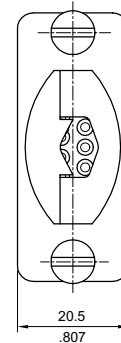
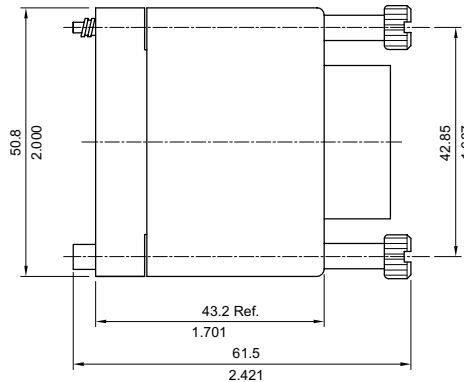
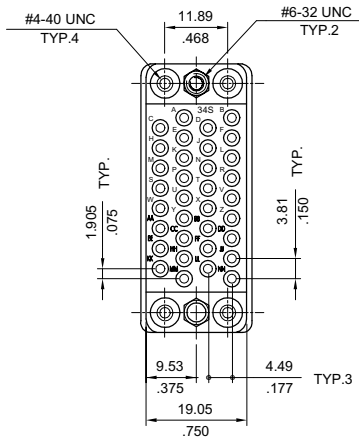
1 2 3 4  
CU06 34 S 0010

- 1 Series No.
- 2 No. of Circuits: 34
- 3 S= Receptacle Housing
- 4 Other options:  
0010= Standard (Color Black)  
\*Special option Consult manufacturer

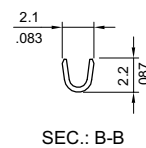
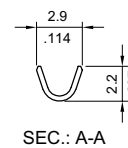
1 2 3 4 5 6  
CU06 T02 2 P P S

- 1 Series No.
- 2 Type : T02 = AWG #24-#26
- 3 Plating code:  
2= Gold flash plated over Nickel  
3= 15µin Gold plated over Nickel  
4= 30µin Gold plated over Nickel
- 4 Material: P= Phosphor Bronze
- 5 Plating method: P= Post Plating
- 6 Other options: S= Receptacle Terminal

P/N CU0634S0010



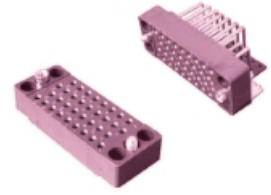
Part No.	Wire Range	Insulation Diameter	Reel Qty
CU06T02*PPS	AWG #24-#26	1.50 (.059) MAX.	2,500 PCS





**CU06 Series V.35 PCB DIP Type Receptacle Connectors**

- ⊙ With locking screw
- ⊙ Can be used CU06 Crimp clip terminal
- ⊙ Insulator: PBT UL 94V-0, Color Black

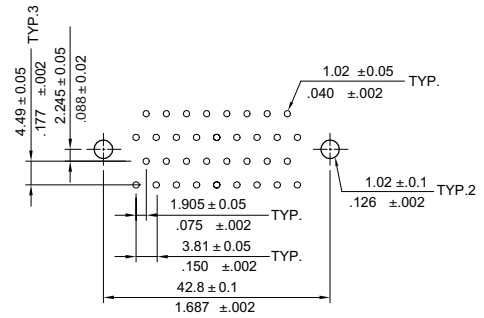
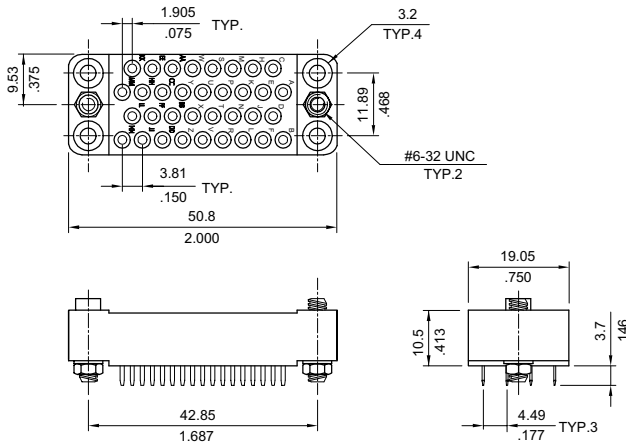


**Ordering Code**

1    2    3    4    5    6  
CU06    34    S    A    V    10

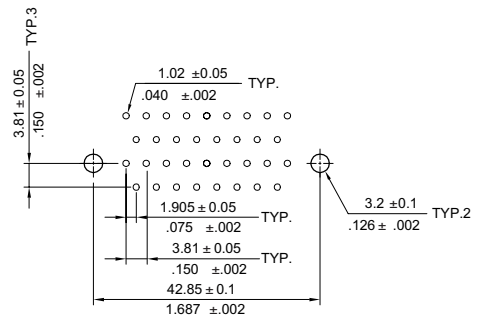
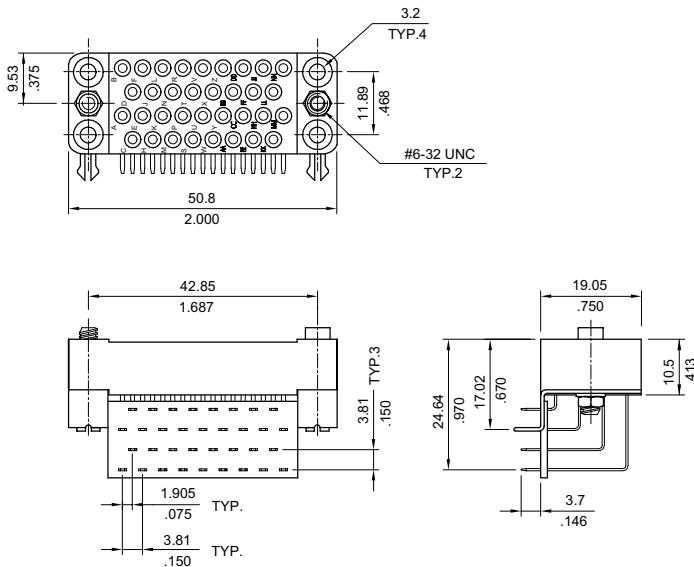
- |   |  |  |
|---|--|--|
| <p><b>1</b> Series No.</p> <p><b>2</b> Contacts: 34</p> <p><b>3</b> Contact type:<br/>S= Receptacle Connector</p> | <p><b>4</b> Plating code:<br/>A= Selective Gold flash plated over Nickel<br/>B= Selective 15µin Gold plated over Nickel<br/>C= Selective 30µin Gold plated over Nickel</p> | <p><b>5</b> Style:<br/>V= Straight; H= Right angle</p> <p><b>6</b> Other option:<br/>10= Standard (Color Black)<br/>*Special option Consult manufacturer</p> |
|---|--|--|

P/N CU0634S\*V10



Recommended P.C. Board Layout

P/N CU0634S\*H10



Recommended P.C. Board Layout

**CU07 Series DVI Right Angle Digital/Analog Visual Interface Receptacle Conn.**

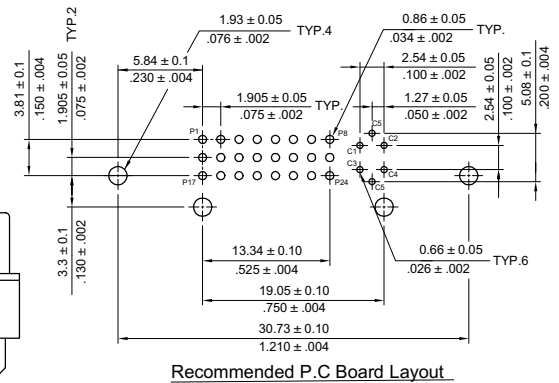
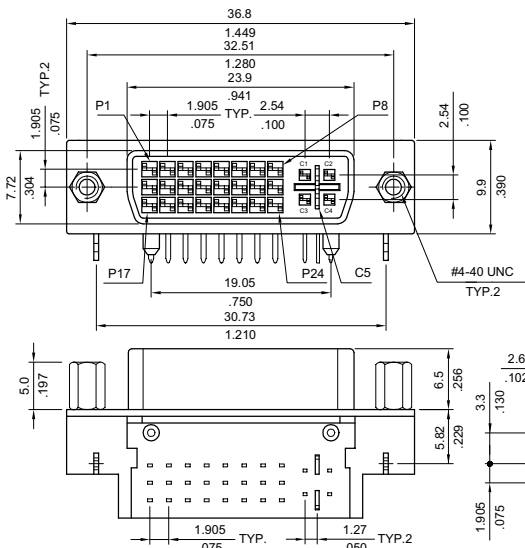
- ⊙ With clip ground retention to board
- ⊙ EMI/RF1 shielding and positive polarization
- ⊙ Supports both digital and analog signals
- ⊙ The contact design supports 4.95 Gbps over a single link and 9.9 Gbps over a Dual link
- ⊙ Mates DVI Standard interface Plug
- ⊙ The coax section supports a high-bandwidth of 2.5 GHz analog signal



**Ordering Code**

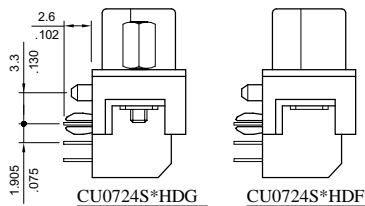
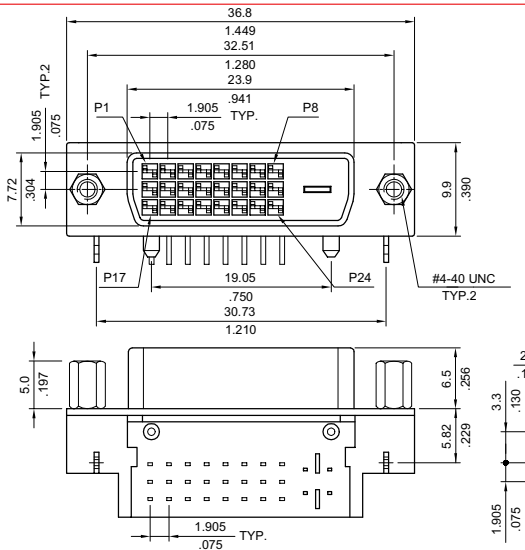
① ② ③ ④ ⑤ ⑥ ⑦  
CU07 29 S A H I G

- |   |  |   |
|---|--|---|
| <p><b>①</b> Series No.</p> <p><b>②</b> Contacts:<br/>Digital type: 24= 24+Key<br/>Integrated type: 29= 24+4+1</p> <p><b>③</b> Contact type:<br/>S= Receptacle Connector</p> | <p><b>④</b> Plating code:<br/>A= Selective Gold flash plated over Nickel<br/>B= Selective 15μin Gold plated over Nickel<br/>C= Selective 30μin Gold plated over Nickel</p> <p><b>⑤</b> Style: H= Right angle</p> | <p><b>⑥</b> Product type : I= Integrated type<br/>D= Digital type</p> <p><b>⑦</b> Other option:<br/>G= #4-40 UNC Hex jack screw<br/>F= #4-40 UNC Threaded insert<br/>*Special option Consult manufacturer</p> |
|---|--|---|

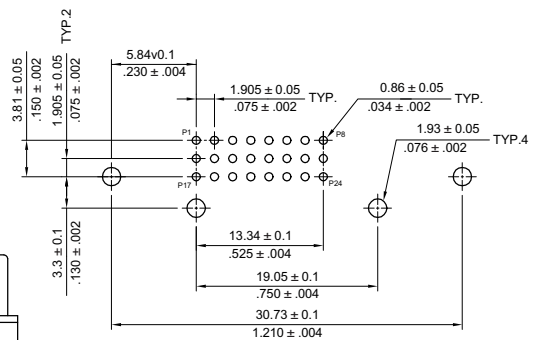


CU0729S\*HIG CU0729S\*HIF

Recommended P.C Board Layout



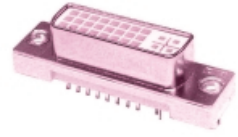
CU0724S\*HDG CU0724S\*HDF



Recommended P.C Board Layout

**CU07 Series DVI Straight Digital/Analog Visual Interface Receptacle Connector**

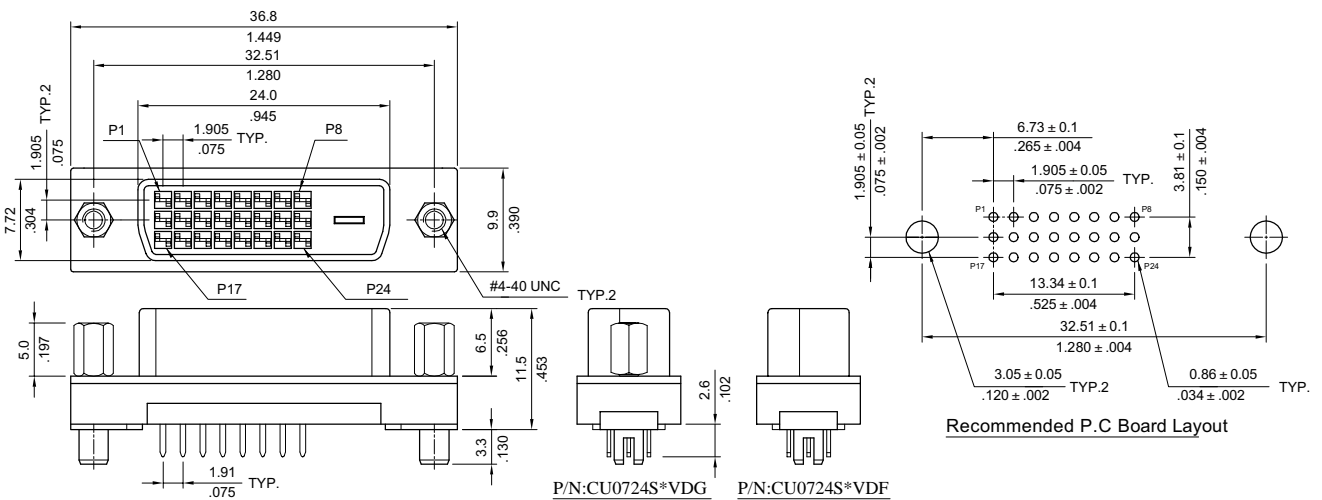
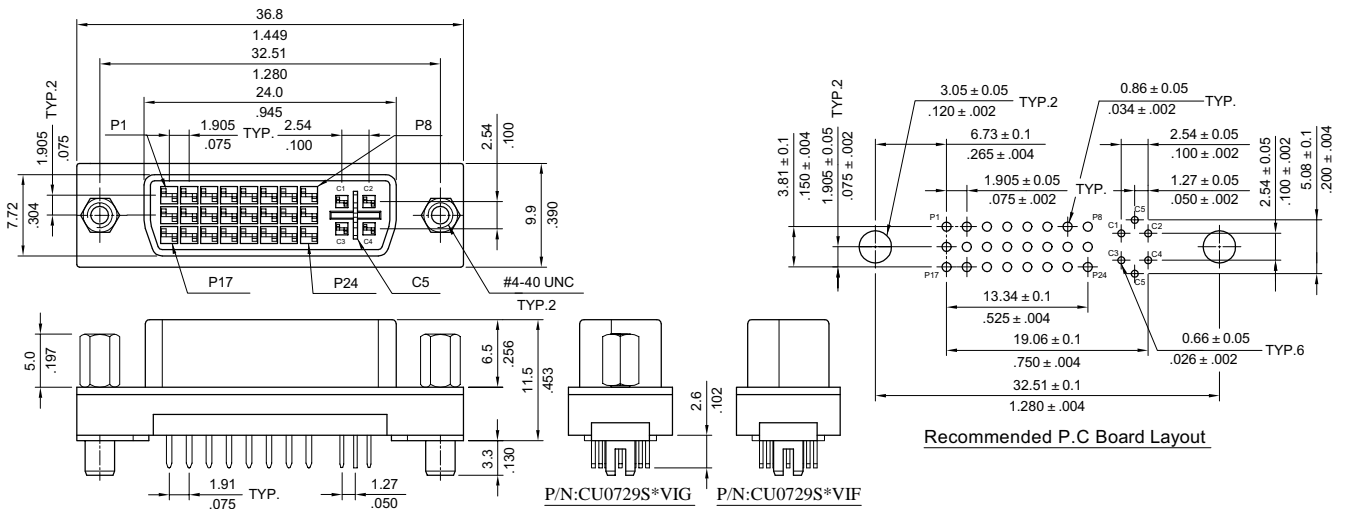
- ⊙ With ground retention to board
- ⊙ EMI/RF1 shielding and positive polarization
- ⊙ Supports both digital and analog signals
- ⊙ The contact design supports 4.95 Gbps over a single link and 9.9 Gbps over a Dual link
- ⊙ Mates DVI Standard interface Plug
- ⊙ The coax section supports a high-bandwidth of 2.5 GHz analog signal



**Ordering Code**

① CU07
② 29
③ S
④ A
⑤ V
⑥ I
⑦ G

- |   |   |   |
|---|---|---|
| <p><b>①</b> Series No.</p> <p><b>②</b> Contacts:<br/>Digital type: 24= 24+Key<br/>Integrated type: 29= 24+4+1</p> <p><b>③</b> Contact type:<br/>S= Receptacle Connector</p> | <p><b>④</b> Plating code:<br/>A= Selective Gold flash plated over Nickel<br/>B= Selective 15μin Gold plated over Nickel<br/>C= Selective 30μin Gold plated over Nickel</p> <p><b>⑤</b> Style:<br/>V= Straight</p> | <p><b>⑥</b> Product type : I= Integrated type<br/>D= Digital type</p> <p><b>⑦</b> Other option:<br/>G= #4-40 UNC Hex jack screw<br/>F= #4-40 UNC Threaded insert<br/>*Special option Consult manufacturer</p> |
|---|---|---|



CU07 Series DVI Straight Digital/Analog Visual Interface Plug Connector

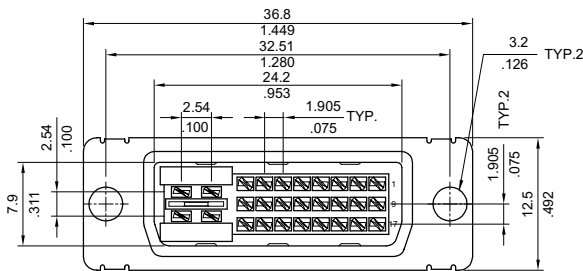
- ⊙ EMI/RF1 shielding and positive polarization
- ⊙ Supports both digital and analog signals
- ⊙ The contact design supports 4.95 Gbps over a single link and 9.9 Gbps over a Dual link
- ⊙ Mates DVI Standard interface Receptacle
- ⊙ The coax section supports a high-bandwidth of 2.5 GHz analog signal



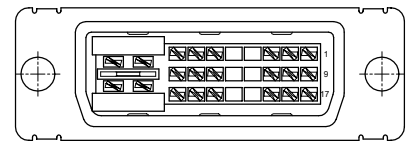
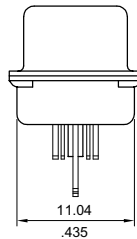
Ordering Code

① CU07
② 29
③ P
④ A
⑤ V
⑥ D
⑦ 0

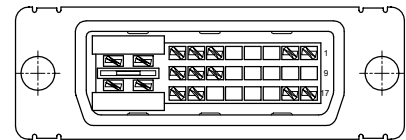
- |   |  |   |
|---|--|---|
| <p><b>①</b> Series No.</p> <p><b>②</b> Contacts:<br/>Digital type:<br/>18= 18+ Key ; 24= 24+Key<br/>Analog type:<br/>17= 12+4+1 ; 23= 18+4+1<br/>29= 24+4+1</p> | <p><b>③</b> Contact type:<br/>P= Plug Connector</p> <p><b>④</b> Plating code:<br/>A= Selective Gold flash plated over Nickel<br/>B= Selective 15μin Gold plated over Nickel<br/>C= Selective 30μin Gold plated over Nickel</p> | <p><b>⑤</b> Style: V= Straight</p> <p><b>⑥</b> Product type : D= Digital type<br/>A= Analog type</p> <p><b>⑦</b> Other option:<br/>0= Standard<br/>*Special option Consult manufacturer</p> |
|---|--|---|



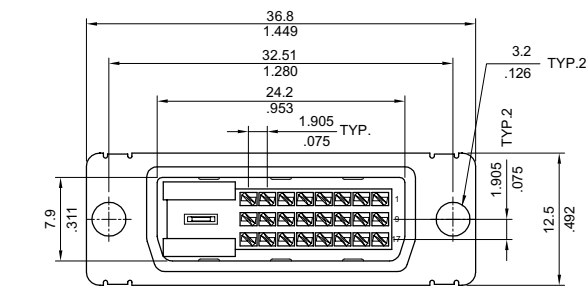
P/N:CU0729P\*VA0



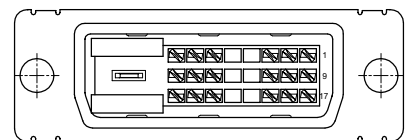
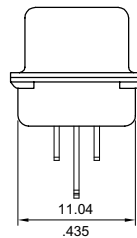
P/N:CU0723P\*VA0



P/N:CU0717P\*VA0



P/N:CU0724P\*VD0



P/N:CU0718P\*VD0