

## Introduction

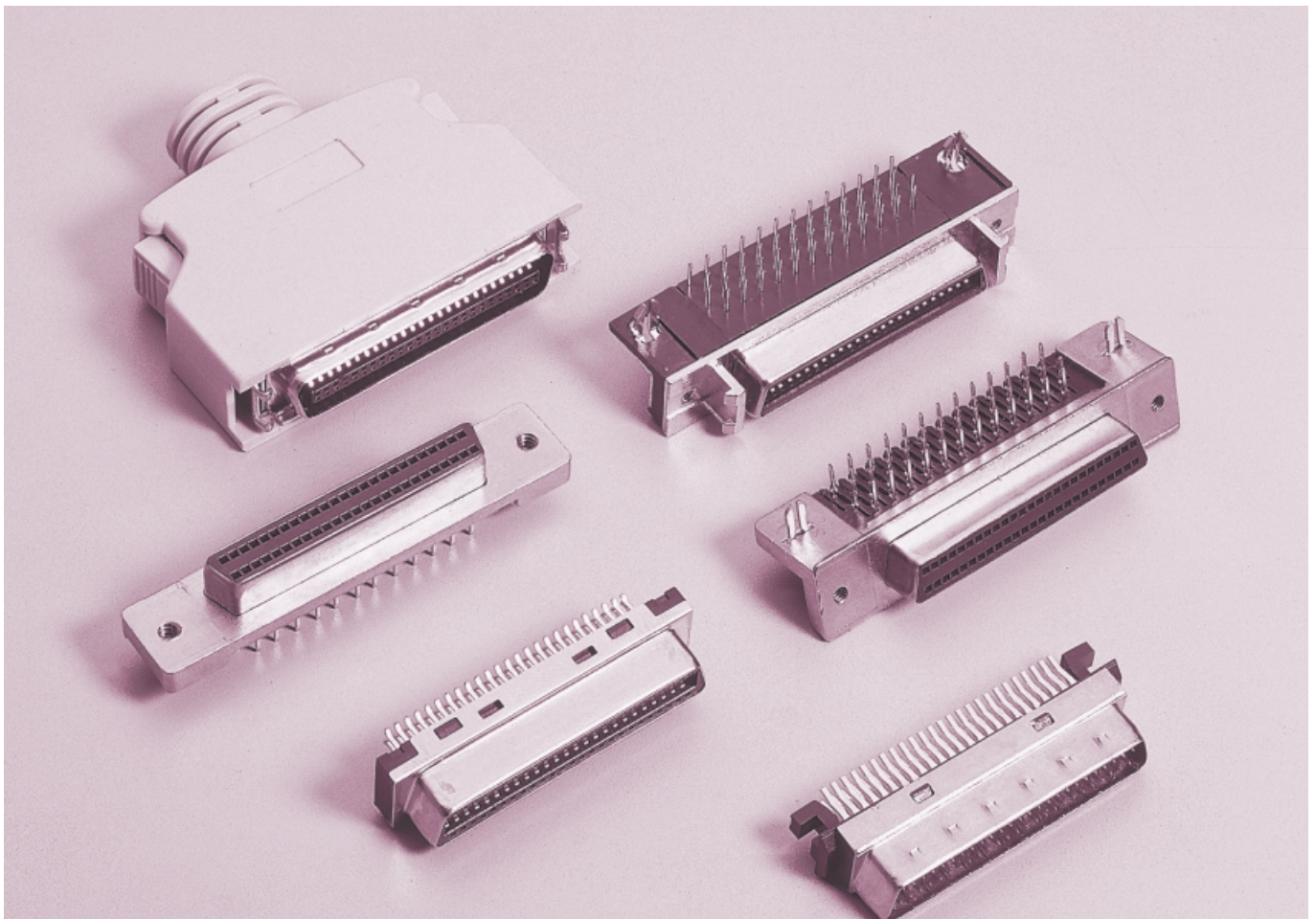
The CG system High Density I/O connector includes solder, IDC and board mount types, available in 50 and 68 circuits at present. They were designed to meet the needs of high density and miniature connections.

These connectors come in a choice of selective gold plating styles, The connector with Zinc Alloy die-cast shell and metallic shell reduce the penetration of external EMI noise, and its one touch lock mechanism assures easy and quick device to device I/O connections.

CG connectors are apply for computer cable or flat cable assemblies that conform to SCSI II standards. The functions of series connectors are perfect for today's compact electronics equipment.

These I/O connectors are common using in current Computer storage system, removable hard drive, Office automation, Communications, Medical, controls, Instrumentation and others compact commercial applications that require reliable connections.

For special requirement excluding in this catalogue, please consult our sales agent or factory for information.



## System CG - Technical Specifications

TEST METHODS FOR ELECTRONIC CONNECTOR IS ACCORDING TO FOLLOWING MILITARY STANDARD:

Dielectric Withstanding Voltage	- Per MIL-STD-1344A method 3001.1
Contact Resistance	- Per MIL-STD-1344A method 3002.1
Insulation Resistance	- Per MIL-STD-1344A method 3003.1
Solderability	- Per MIL-STD-202F method 208D

### Half Pitch I/O Board Mount Connector

<b>Electrical Data-</b> Current rating: 0.5 Amp Dielectric Withstanding: 500 VAC for one minute Contact Resistance: < 35 mΩ Insulation Resistance: > 500 MΩ Operating Temperature: -55°C - +105°C	<b>Construction-</b> Insulator: Color Black, Glass Filled Polyester Flammability Rating: UL 94V-0 Contacts: Phosphor Bronze Please see plating code for other options.
--	--

### Half Pitch I/O IDC Connector

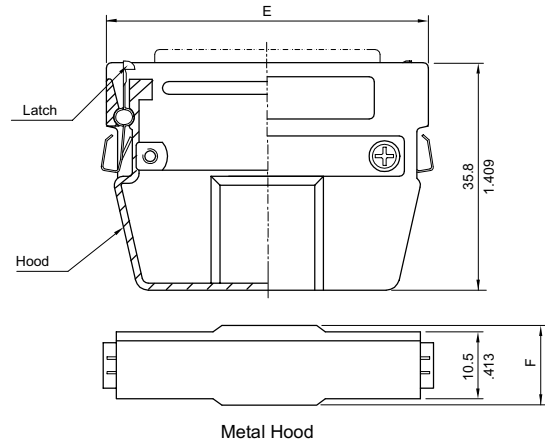
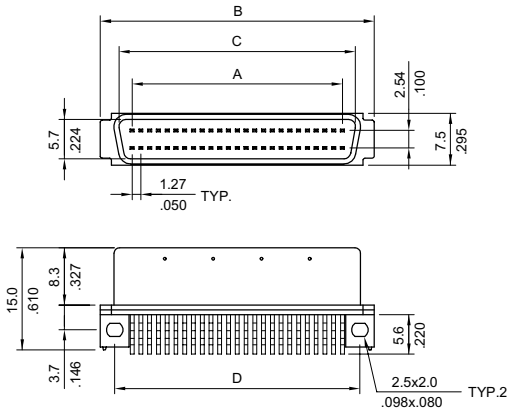
<b>Electrical Data-</b> Current rating: 0.5 Amp Dielectric Withstanding: 500 VAC for one minute Contact Resistance: < 35 mΩ Insulation Resistance: > 500 MΩ Operating Temperature: -55°C - +105°C	<b>Construction-</b> Insulator: Color Black, Glass Filled Polyester Flammability Rating: UL 94V-0 Contacts: Phosphor Bronze Please see plating code for other options.
--	--

**CG02 Series 1.27mm (.050") Pin Type PCB Clip Connector**

- ⦿ High density and low profile
- ⦿ Metal shell with locking hooks for receptacle
- ⦿ Option with #2-56 or #4-40 UNC screws for receptacle
- ⦿ Plug with straight metal hood

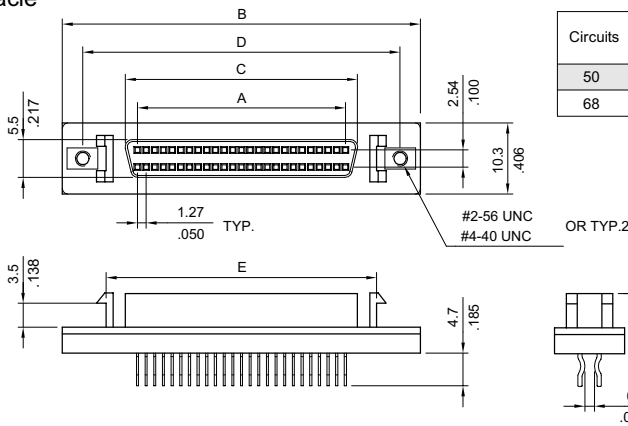


Plug



Circuits	Dimension					
	A	B	C	D	E	F
50	30.48(1.200)	40.1(1.579)	34.85(1.372)	35.85(1.411)	50.0(1.969)	12.5(.492)
68	41.91(1.650)	51.2(2.016)	46.28(1.822)	47.3(1.862)	61.4(2.417)	13.4(.528)

Receptacle



Circuits	Dimension				
	A	B	C	D	E
50	30.48(1.200)	52.5(2.067)	34.2(1.346)	46.48(1.830)	40.2(1.583)
68	41.91(1.650)	64.0(2.520)	45.75(1.801)	57.91(2.280)	51.7(2.035)

**Ordering Code**

**1** CG **2** **2** 50 **3** S **4** A **5** 000

- 1** Series No.
- 2** Contacts:  
50 and 68
- 3** Connector type:  
P= Plug  
S= Receptacle
- 4** Plating code:  
A= Selective Gold flash plated over Nickel  
B= Selective 15µin Gold plated over Nickel  
C= Selective 30µin Gold plated over Nickel
- 5** Option:  
000= Standard type for Plug  
200= #2-56 UNC for Receptacle (Standard)  
400= #4-40 UNC for Receptacle  
\*Special option Consult manufacturer

**CG03 Series 1.27mm (.050") Pin Type Receptacle DIP Connector**

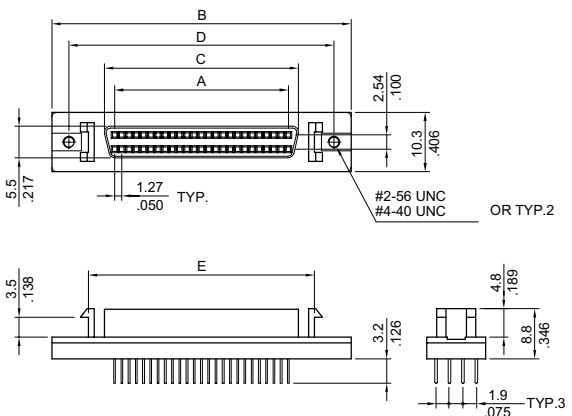
- Metal shell with locking hooks
- High density and low profile
- Option with #2-56 or #4-40 UNC screws



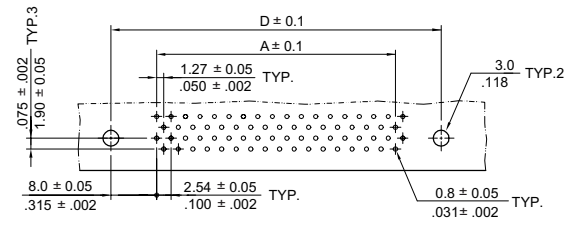
**Ordering code**

1    2    3    4    5  
CG03    68    S    A    200

**1** Series No.  
**2** Contacts: 50 and 68  
**3** Connector type:  
     S= Receptacle  
**4** Plating code:  
     A= Selective Gold flash plated over Nickel  
     B= Selective 15µm Gold plated over Nickel  
     C= Selective 30µm Gold plated over Nickel  
**5** Screw type :  
     200= #2-56 UNC screws (Standard)  
     400= #4-40 UNC screws  
     \*Special option Consult manufacturer



Circuits	Dimension				
	A	B	C	D	E
50	30.48(1.200)	52.5(2.067)	34.2(1.346)	46.48(1.830)	40.1(1.579)
68	41.91(1.650)	64.0(2.520)	45.75(1.801)	57.91(2.280)	51.53(2.030)



Recommended P.C. Board Layout

**CG04 Series 1.27mm (.050") Pin Type Right Angle Receptacle DIP Connector**

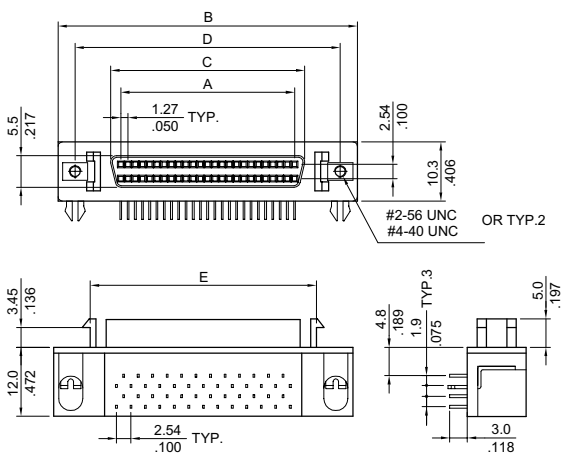
- High density and low profile
- Metal shell with locking hooks
- With ground clippers
- Option with #2-56 or #4-40 UNC screws



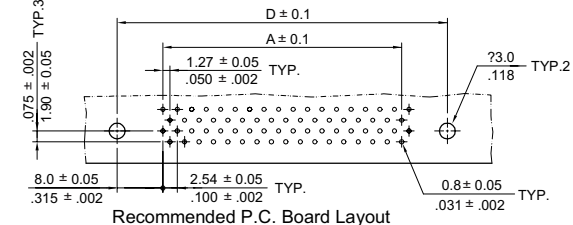
**Ordering code**

1    2    3    4    5  
CG04    X2    S    A    200

**1** Series No.  
**2** Contacts:  
     20,26,28,40,50,68,80  
     and X1=100,X2=120  
**3** Connector type:  
     S= Receptacle  
**4** Plating code:  
     A= Selective Gold flash plated over Nickel  
     B= Selective 15µm Gold plated over Nickel  
     C= Selective 30µm Gold plated over Nickel  
**5** Screw type :  
     200= #2-56 UNC screws (Standard)  
     400= #4-40 UNC screws  
     \*Special option Consult manufacturer



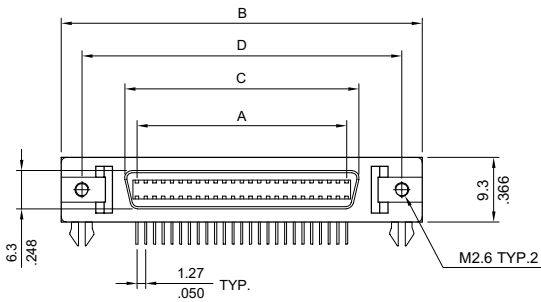
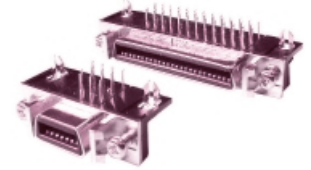
Circuits	Dimension				
	A	B	C	D	E
20	11.43(.450)	33.4(1.315)	15.40(.606)	27.43(1.080)	21.05(.829)
26	15.24(.600)	37.3(1.469)	19.20(.756)	31.24(1.230)	24.86(.979)
28	16.51(.650)	38.5(1.516)	20.45(.805)	32.51(1.280)	26.13(1.029)
40	24.13(.950)	46.1(1.815)	28.10(1.106)	40.13(1.580)	33.75(1.329)
50	30.48(1.200)	52.6(2.071)	34.20(1.346)	46.48(1.830)	40.10(1.579)
68	41.91(1.650)	63.9(2.516)	45.75(1.801)	57.91(2.280)	51.53(2.029)
80	49.53(1.950)	71.6(2.819)	53.30(2.098)	65.53(2.580)	59.15(2.329)
100	62.23(2.450)	84.4(3.323)	66.10(2.602)	78.23(3.080)	71.85(2.829)
120	74.93(2.950)	97.2(3.830)	78.75(3.100)	90.95(3.580)	84.55(3.330)



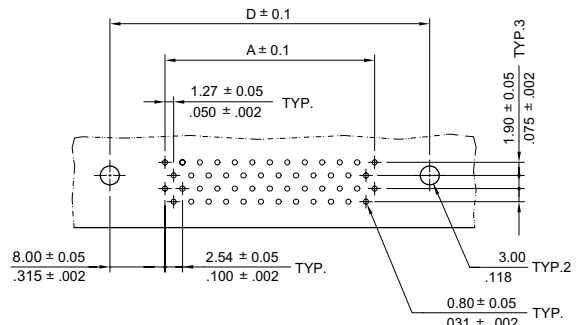
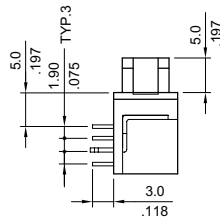
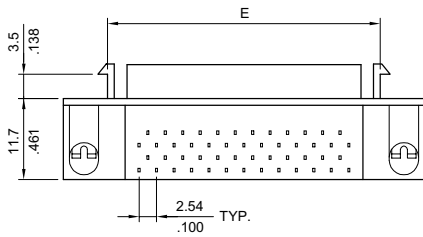
Recommended P.C. Board Layout

**CG08 Series 1.27mm (.050") Ribbon Type Right Angle Receptacle DIP Connector**

- ⊙ High density and low profile
- ⊙ Metal shell with locking hooks
- ⊙ With ground clippers
- ⊙ With M2.6 screws



Circuits	Dimension				
	A	B	C	D	E
14	7.62(.300)	29.6(1.165)	12.64(.498)	23.62(.930)	17.3(.681)
20	11.43(.450)	33.5(1.319)	16.45(.648)	27.43(1.080)	21.3(.839)
36	21.59(.850)	43.6(1.717)	26.61(1.048)	37.59(1.480)	31.3(1.232)
50	30.48(1.200)	52.5(2.067)	35.5(1.398)	46.48(1.830)	40.45(1.593)
68	41.91(1.650)	64.8(2.551)	47.1(1.854)	57.91(2.280)	51.7(2.035)



Recommended P.C. Board Layout

CG

**Ordering Code**

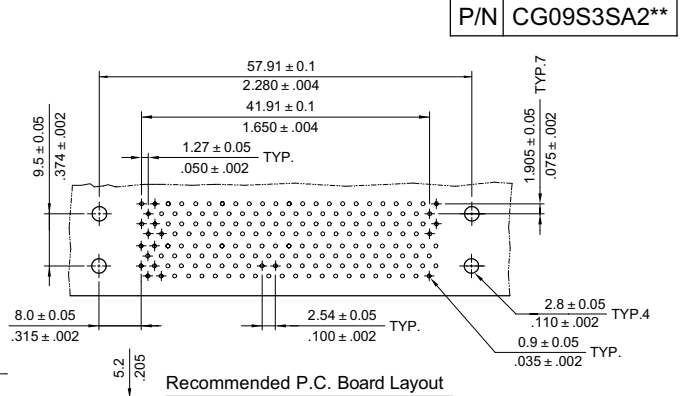
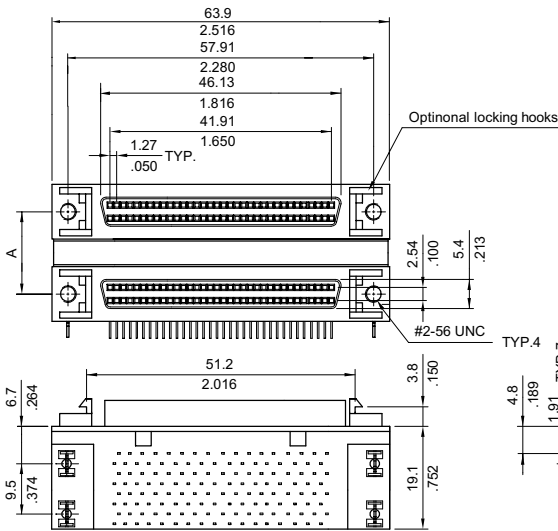
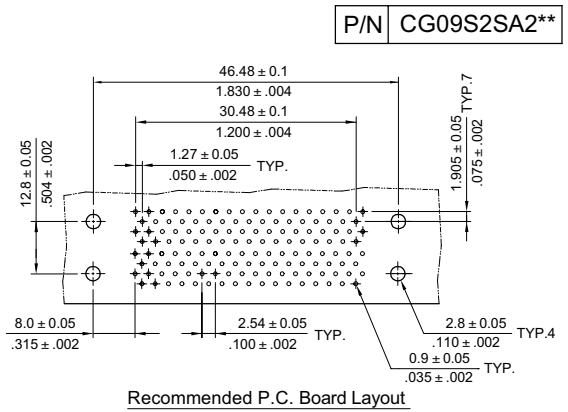
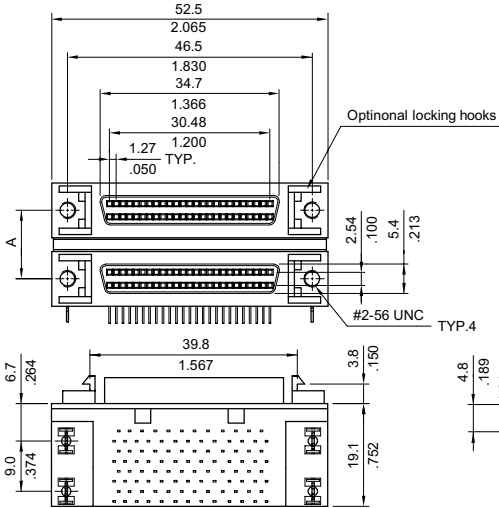
**1** **CG08**    **2** **68**    **3** **S**    **4** **A**    **5** **000**

- 1** Series No.
- 2** Contacts:  
14,20,36,50 and 68
- 3** Connector type:  
S= Receptacle
- 4** Plating code:  
A= Selective Gold flash plated over Nickel  
B= Selective 15µin Gold plated over Nickel  
C= Selective 30µin Gold plated over Nickel
- 5** Screw type :  
000= M2.6 Screws (Standard)  
\*Special option Consult manufacturer



**CG09 Series Pin Type Right Angle Receptacle DIP (SCSI)**

- ⊙ Meets SCSI II and SCSI III industry standard
- ⊙ Metal shell
- ⊙ With selective gold contacts
- ⊙ With ground hooks retention to board
- ⊙ With locking latches for cable end
- ⊙ Available 50 and 68 circuits receptacle over receptacle
- ⊙ Option combination available



**Ordering Code**

① **CG09**    ② **S2**    ③ **S**    ④ **A**    ⑤ **20**    ⑥ **0**

- |                   |  |                                      |
|-------------------|--|--------------------------------------|
| ① Series No.      | ④ Plating code:                                      | ⑥ Row spacing Dim. A :               |
| ② Contacts:       | A= Selective Gold flash plated over Nickel           | A= 19.05mm                           |
| S2= 50 to 50      | B= Selective 15µin Gold plated over Nickel           | B= 15.24mm                           |
| S3= 68 to 68      | C= Selective 30µin Gold plated over Nickel           | C= 12.08mm                           |
| ③ Connector type: | ⑤ Screw type :                                       | *Special option Consult manufacturer |
| S= Receptacle     | 20= #2-56 UNC Screws ; With Locking hooks (Standard) |                                      |
|                   | 2A= #2-56 UNC Screws ; Without Locking hooks         |                                      |